



SUMMERVILLE

52 Inch Tall Round Pools

Parts List



SUMMERVILLE 52" Round Pool — Parts List

| ITEM # | DESCRIPTION | 12' x 52" | | 16' x 52" | | 18' x 52" | | 21' x 52" | | 24' x 52" | | 28' x 52" | |
|---------|--|------------|------|------------|------|------------|------|------------|------|------------|------|------------|------|
| | | PART # | QTY. | PART # | QTY. | PART # | QTY. | PART # | QTY. | PART # | QTY. | PART # | QTY. |
| | ASSEMBLY PACK | 0-9912-613 | 1 | 0-9916-613 | 1 | 0-9918-613 | 1 | 0-9921-613 | 1 | 0-9924-613 | 1 | 0-9928-613 | 1 |
| 1. | Plastic Coping, 24" | 545-1001 | 22 | 545-1001 | 28 | 545-1001 | 30 | 545-1001 | 35 | 545-1001 | 40 | 545-1001 | 46 |
| 2. | Vertical End Cap-Top | 580-2286 | 10 | 580-2286 | 12 | 580-2286 | 14 | 580-2286 | 16 | 580-2286 | 18 | 580-2286 | 21 |
| 3. | Vertical End Cap-Bottom | 580-1949 | 10 | 580-1949 | 12 | 580-1949 | 14 | 580-1949 | 16 | 580-1949 | 18 | 580-1949 | 21 |
| 4. | Stabilizer Rail, small dia. | 583-1012 | 6 | 583-1012 | 8 | 583-1012 | 9 | 583-1004 | 10 | 583-1004 | 11 | 583-1004 | 13 |
| 5. | Stabilizer Rail, large dia. | 583-1011 | 6 | 583-1011 | 8 | 583-1011 | 9 | 583-1005 | 10 | 583-1005 | 11 | 583-1005 | 13 |
| 6. | Bottom Rail | 589-1046 | 10 | 589-1047 | 12 | 589-1048 | 14 | 589-1049 | 16 | 589-1050 | 18 | 589-1051 | 21 |
| 7. | 6" Outer Connector | 580-1886 | 10 | 580-1886 | 12 | 580-1886 | 14 | 580-1886 | 16 | 580-1886 | 18 | 580-1886 | 21 |
| 8. | Outer Connector Bracket | 580-2128 | 10 | 580-2128 | 12 | 580-2128 | 14 | 580-2128 | 16 | 580-2128 | 18 | 580-2128 | 21 |
| 9. | Inner Connector | 5186-1205 | 10 | 5186-1205 | 12 | 5186-1205 | 14 | 5186-1205 | 16 | 5186-1205 | 18 | 5186-1205 | 21 |
| 10. | Machine Screw, 10-24 x 1/2" | 510-1008 | 10 | 510-1008 | 12 | 510-1008 | 14 | 510-1008 | 16 | 510-1008 | 18 | 510-1008 | 21 |
| 11. | Square Nut, 10-24 | 321-1025 | 10 | 321-1025 | 12 | 321-1025 | 14 | 321-1025 | 16 | 321-1025 | 18 | 321-1025 | 21 |
| *12. | Sheet Metal Screw-#10 x 1/2", Hexwasher Head, Type AB | 330-1127 | 100 | 330-1127 | 120 | 330-1127 | 140 | 330-1127 | 160 | 330-1127 | 180 | 330-1127 | 210 |
| 13. | Pool Parts List | 573-3568 | 1 | 573-3568 | 1 | 573-3568 | 1 | 573-3568 | 1 | 573-3568 | 1 | 573-3568 | 1 |
| 14. | Pool Installation Instructions | 573-3190 | 1 | 573-3190 | 1 | 573-3190 | 1 | 573-3190 | 1 | 573-3190 | 1 | 573-3190 | 1 |
| 15. | "Read Me First" Booklet | 573-3169 | 1 | 573-3169 | 1 | 573-3169 | 1 | 573-3169 | 1 | 573-3169 | 1 | 573-3169 | 1 |
| 16. | — | — | — | — | — | — | — | — | — | — | — | — | — |
| 17. | — | — | — | — | — | — | — | — | — | — | — | — | — |
| 18. | — | — | — | — | — | — | — | — | — | — | — | — | — |
| 19. | — | — | — | — | — | — | — | — | — | — | — | — | — |
| 20. | Warranty Card - Metal | — | 1 | — | 1 | — | 1 | — | 1 | — | 1 | — | 1 |
| 21. | — | — | — | — | — | — | — | — | — | — | — | — | — |
| | VERTICAL PACK | 0-9710-611 | 1 | 0-9712-611 | 1 | 0-9714-611 | 1 | 0-9716-611 | 1 | 0-9718-611 | 1 | 0-9721-611 | 1 |
| 22. | Vertical | 580-2162 | 10 | 580-2162 | 12 | 580-2162 | 14 | 580-2162 | 16 | 580-2162 | 18 | 580-2162 | 21 |
| | TOP RAIL PACK | 0-9801-614 | 1 | 0-9812-614 | 1 | 0-9814-614 | 1 | 0-9816-614 | 1 | 0-9818-614 | 1 | 0-9821-614 | 1 |
| 23. | Top Rail | 587-1691 | 10 | 587-1692 | 12 | 587-1692 | 14 | 587-1692 | 16 | 587-1692 | 18 | 587-1692 | 21 |
| | POOL LINER CARTON | | | | | | | | | | | | |
| ***24. | Pool Liner | 0-12 - _ | 1 | 0-16 - _ | 1 | 0-18 - _ | 1 | 0-21 - _ | 1 | 0-24 - _ | 1 | 0-28 - _ | 1 |
| 25. | Chlorine/Winterizing Instructions | 573-2421 | 1 | 573-2421 | 1 | 573-2421 | 1 | 573-2421 | 1 | 573-2421 | 1 | 573-2421 | 1 |
| 26. | Installation Instruction Insert | 369-1145 | 1 | 369-1145 | 1 | 369-1145 | 1 | 369-1145 | 1 | 369-1145 | 1 | 369-1145 | 1 |
| 27. | "Warning" Decal | 560-1041 | 3 | 560-1041 | 3 | 560-1041 | 3 | 560-1041 | 3 | 560-1041 | 3 | 560-1041 | 3 |
| ****28. | "Deeper" Area Decal | 560-1042 | 2 | 2560-1042 | 2 | 2560-1042 | 2 | 2560-1042 | 2 | 2560-1042 | 2 | 2560-1042 | 2 |
| 2 | Warranty Card-Liner | — | — | — | 1 | — | 1 | — | 1 | — | 1 | — | 1 |
| 29. | "Shallow" Decal, 3-1/2 ft. | 560-1043 | 3 | 560-1043 | 3 | 560-1043 | 3 | 560-1043 | 3 | 560-1043 | 3 | 560-1043 | 3 |
| **31. | Repair Patch | 564-1000 | 1 | 564-1000 | 1 | 564-1000 | 1 | 564-1000 | 1 | 564-1000 | 1 | 564-1000 | 1 |
| 32. | "Read Me First" Booklet | 573-3169 | 1 | 573-3169 | 1 | 573-3169 | 1 | 573-3169 | 1 | 573-3169 | 1 | 573-3169 | 1 |
| | SIDEWALL CARTON | | | | | | | | | | | 0-0012-028 | 1 |
| 33. | Sidewall | 0-0012-012 | 1 | 0-0012-016 | 1 | 0-0012-018 | 1 | 0-0012-021 | 1 | 0-0012-024 | 1 | 580-1914 | 1 |
| 34. | Joint Piece | 580-1914 | 1 | 580-1914 | 1 | 580-1914 | 1 | 580-1914 | 1 | 580-1914 | 1 | 560-1046 | 1 |
| 35. | "Warning" Sign | 560-1046 | 1 | 560-1046 | 1 | 560-1046 | 1 | 560-1046 | 1 | 560-1046 | 1 | 573-3169 | 1 |
| 36. | "Read Me First" Booklet | 573-3169 | 1 | 573-3169 | 1 | 573-3169 | 1 | 573-3169 | 1 | 573-3169 | 1 | 310-1034 | 6 |
| 37. | Adhesive Squares | 310-1034 | 6 | 310-1034 | 6 | 310-1034 | 6 | 310-1034 | 6 | 310-1034 | 6 | 573-3498 | 1 |
| 38. | Safety Video | 573-3498 | 1 | 573-3498 | 1 | 573-3498 | 1 | 573-3498 | 1 | 573-3498 | 1 | 573-3498 | 1 |

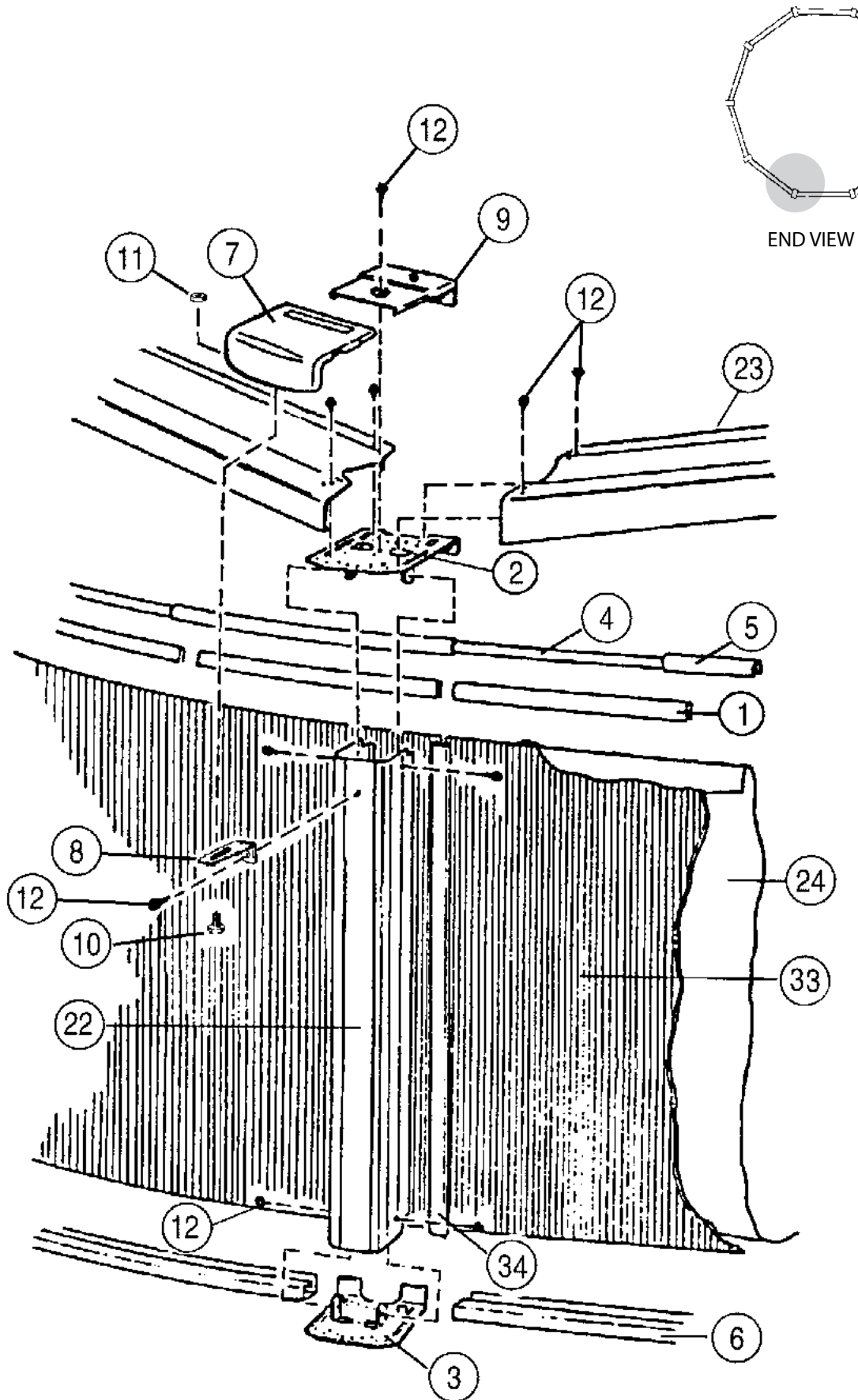
*Screws are available in most hardware stores.

**For additional patch kits order Part No. 0-5604-000.

***Write the number of your liner in the spaces provided here and above # _____

**** Used only for pools with deep swimming areas.

EXPLODED VIEW





Important! Above-ground pools are designed for swimming and wading only. Do not Dive or Jump! Misuse of your pool may result in crippling injury and/or other dangers to life and health. Do not use slides, diving boards, or any other platform or object which can be used for improper pool entry. Use only an above-ground swimming pool ladder or entry system to enter or exit your pool. Never attempt to swim or reach behind ladders or any other pool entry system. It is the pool owner's responsibility to secure the pool against unauthorized, unsupervised or unintentional entry. It is also the pool owner's responsibility to warn all pool users of the hazards of diving into shallow water: paralyzing injury may result. Always obey all safety rules. Remember, pool safety is everybody's responsibility.

Safety decals and caution information provided with your pool have been endorsed by the U.S. Consumer Product Safety Commission. It is mandatory that the pool owner and installer follow the installation and use directions for all provided safety signs and decals. Juveniles must be supervised at all times by a responsible adult as directed by the USCPSC.

Change of Design: Doughboy Recreational expressly reserves the right to change or modify the design and construction of any product in due course of their manufacturing procedures, without incurring any obligation to furnish or install such changes or modifications on products previously or subsequently sold.



DOUGHBOY RECREATIONAL • 315 N. Sebastian St. • WEST HELENA, AR 72390

Visit our website at www.doughboy-pools.com