



# Silver Lake

## 52 Inch Tall Oval Pools

---

---

### Parts List



# Silver Lake Oval Pools — Parts List

ITEM #	DESCRIPTION	20' x 12' x 52"		24' x 12' x 52"		24' x 16' x 52"		32' x 16' x 52"	
		PART #	QTY.	PART #	QTY.	PART #	QTY.	PART #	QTY.
	ASSEMBLY PACK	0-9902-616	1	0-9942-616	1	0-9946-610	1	0-9926-610	1
1.	Plastic Coping, 24"	545-1001	30	545-1001	33	545-1001	36	545-1001	44
2.	Vertical End Cap	580-1619	20	580-1619	20	580-1619	24	580-1619	24
3.	Side Vertical Cap	580-2056	4	580-2056	6	580-2056	4	580-2056	8
4.	Vertical Center Section	580-1954	10	580-1954	10	580-1954	12	580-1954	12
5.	Stabilizer Rail, small dia.	583-1012	8	583-1012	8	583-1012	10	583-1012	10
***6.	Stabilizer Rail, large dia.	583-1011	10	583-1011	12	583-1011	10	583-1011	14
7.	Bottom Rail (Stamped 12 or 16)	589-1046	12	589-1046	12	589-1047	10	589-1047	10
8.	Side Rail (Stamped S)	589-1052	2	589-1052	4	589-1052	2	589-1052	6
9.	Transition Rail (Stamped TR)	—	—	—	—	589-1053	4	589-1053	4
10.	6" Outer Connector (Ends)	580-1958	10	580-1958	10	580-1958	12	580-1958	12
11.	Outer Connector Bracket	580-2159	4	580-2159	6	580-2159	4	580-2159	8
12.	Inner Connector	5186-1205	14	5186-1205	16	5186-1205	16	5186-1205	20
13.	Outer Connector, 6" x 3" (Side)	580-1970	4	580-1970	6	580-1970	4	580-1970	8
*14.	#10 x 1/2" Sheet Metal Screw	330-1127	152	330-1127	168	330-1127	176	330-1127	208
*15.	Machine Screw, #10-24 x 1/2" pan head	510-1008	4	510-1008	6	510-1008	4	510-1008	8
*16.	Square Nut, #10-24	321-1025	4	321-1025	6	321-1025	4	321-1025	8
17.	Side Top Rail	587-1694	2	587-1694	4	—	—	—	—
18.	Pool Parts List	573-3532	1	573-3532	1	573-3532	1	573-3532	1
19.	Pool Installation Instructions	573-3308	1	573-3308	1	573-3308	1	573-3308	1
20.	Safety First Booklet	573-3169	1	573-3169	1	573-3169	1	573-3169	1
21.	-----	-----	-----	-----	-----	-----	-----	-----	-----
22.	-----	-----	-----	-----	-----	-----	-----	-----	-----
23.	-----	-----	-----	-----	-----	-----	-----	-----	-----
24.	-----	-----	-----	-----	-----	-----	-----	-----	-----
25.	Warranty Card - Metal	—	1	—	1	—	1	—	1
26.	—	—	—	—	—	—	—	—	—
	TOP RAIL PACK	0-9803-615	1	0-9803-615	1	0-9816-615	1	0-9810-615	2
27.	Top Rail	587-1695	12	587-1695	12	587-1694	16	587-1694	20
	POOL LINER CARTON								
****28.	Pool Liner	0-2012-___	1	0-2412-___	1	0-2416-___	1	0-3216-___	1
29.	Chlorine/Winterizing Instructions	573-2421	1	573-2421	1	573-2421	1	573-2421	1
30.	"Warning" Decal	560-1041	3	560-1041	3	560-1041	3	560-1041	3
31.	Warranty Card - Liner	—	1	—	1	—	1	—	1
32.	Installation Insert Sheet	369-1145	1	369-1145	1	369-1145	1	369-1145	1
**33.	Repair Patch	564-1000	1	564-1000	1	564-1000	1	564-1000	1
34.	"Read Me First" Booklet	573-3169	1	573-3169	1	573-3169	1	573-3169	1
35.	"Shallow" Decal, 3-3/4 ft.	560-1056	3	560-1056	3	560-1056	3	560-1056	3
36.	Shallow Decal Insert Sheet	369-1216	1	369-1216	1	369-1216	1	369-1216	1
	SIDEWALL CARTON								
37.	Sidewall - 52"	0-0552-002	1	0-0552-042	1	0-0552-046	1	0-0552-026	2
38.	Joint Piece	580-1914	1	580-1914	1	580-1914	1	580-1914	2
39.	Large Cover Plate	—	—	—	—	—	—	580-2133	1
40.	Small Cover Plate	—	—	—	—	—	—	580-2134	1
41.	"Warning" Sign	560-1046	1	560-1046	1	560-1046	1	560-1046	1
42.	"Read Me First" Booklet	573-3169	1	573-3169	1	573-3169	1	573-3169	1
43.	Adhesive Squares	310-1034	6	310-1034	6	310-1034	6	310-1034	6
44.	Safety Video	573-3498	1	573-3498	1	573-3498	1	573-3498	1
	VERTICAL PACK	0-9710-601	1	0-9710-601	1	0-9712-601	1	0-9712-601	1
45.	Vertical Side Section	580-1955	20	580-1955	20	580-1955	24	580-1955	24
	SUPPORT BASE PACK 4 — CARTON	0-8888-204	1	—	—	0-8888-204	1	0-8888-204	2
	SUPPORT BASE PACK 6 — CARTON	—	—	0-8888-206	1	—	—	—	—
46.	Skid Support	580-1779	4	580-1779	6	580-1779	4	580-1779	8
47.	Ground Support - Top	580-2071	4	580-2071	6	580-2071	4	580-2071	8
48.	Ground Support - Bottom	580-2072	4	580-2072	6	580-2072	4	580-2072	8
49.	Pressure Pad - Inside	580-1870	4	580-1870	6	580-1870	4	580-1870	8
50.	Pressure Pad - Outside	580-1869	4	580-1869	6	580-1869	4	580-1869	8
51.	Bottom Rail Locator	580-1792	4	580-1792	6	580-1792	4	580-1792	8
*52.	Hex Washer Head Screw, #12 x 3/4"	510-1035	24	510-1035	36	510-1035	24	510-1035	48
*53.	Hex Head Bolt, 3/8 - 16 x 3-1/2"	330-1220	16	330-1220	24	330-1220	16	330-1220	32
*54.	Hex Nut, 3/8 - 16	321-1069	16	321-1069	24	321-1069	16	321-1069	32
*55.	Hex Head Screw, 1/4 - 20 x 1/2"	510-1018	16	510-1018	24	510-1018	16	510-1018	32
*56.	Hex Nut 1/4 - 20	511-1000	16	511-1000	24	511-1000	16	511-1000	32
*57.	#10 x 1/2" Sheet Metal Screw	330-1127	24	330-1127	36	330-1127	24	330-1127	48
	SUPPORT PACK 4 CARTON	0-8852-400	1	—	—	0-8852-400	1	0-8852-400	2
	SUPPORT PACK 6 CARTON	—	—	0-8852-600	1	—	—	—	—
58.	Side Vertical	580-2074	4	580-2074	6	580-2074	4	580-2074	8

\*Screws are available in most hardware stores.

\*\*For additional patch kits order Part No. 0-5604-000.

\*\*\*These stabilizers are 43 1/4" long and are used on the sides between the buttresses. Use all remaining small and large stabilizers on the ends of the pool.

\*\*\*\*Write the number of your liner in the spaces provided here and above. # \_\_\_\_\_.

# Silver Lake Oval Pools — Parts List

		28' x 16' x 52"		34' x 18' x 52"		38' x 18' x 52"		41' x 21' x 52"	
ITEM #	DESCRIPTION	PART #	QTY.	PART #	QTY.	PART #	QTY.	PART#	QTY.
	ASSEMBLY PACK	0-9986-610	1	0-9948-610	1	0-9988-610	1	0-9911-610	1
1.	Plastic Coping, 24"	545-1001	40	545-1001	46	545-1001	50	545-1001	55
2.	Vertical End Cap	580-1619	24	580-1619	28	580-1619	28	580-1619	32
3.	Side Vertical Cap	580-2056	6	580-2056	8	580-2056	10	580-2056	10
4.	Vertical Center Section	580-1954	12	580-1954	14	580-1954	14	580-1954	16
5.	Stabilizer Rail, small dia.	583-1012	10	583-1012	10	583-1012	10	583-1004	12
***6.	Stabilizer Rail, large dia.	583-1011	12	583-1011	16	583-1011	18	583-1011	8
	Stabilizer Rail, Large dia.	—	—	—	—	—	—	583-1005	10
7.	Bottom Rail (Stamped 12 or 16)	589-1047	10	589-1048	16	589-1048	16	589-1049	14
8.	Side Rail (Stamped S)	589-1052	4	589-1052	6	589-1052	8	589-1052	8
9.	Transition Rail (Stamped TR)	589-1053	4	—	—	—	—	589-1053	4
10.	6" Outer Connector (Ends)	580-1958	12	580-1958	14	580-1958	14	580-1958	16
11.	Outer Connector Bracket	580-2159	6	580-2159	8	580-2159	10	580-2159	10
12.	Inner Connector	5186-1205	18	5186-1205	22	5186-1205	24	5186-1205	26
13.	Outer Connector, 6" x 3" (Side)	580-1970	6	580-1970	8	580-1970	10	580-1970	10
*14.	#10 x 1/2" Sheet Metal Screw	330-1127	160	330-1127	230	330-1127	285	330-1127	305
*15.	Machine Screw, #10-24 x 1/2" pan head	510-1008	6	510-1008	8	510-1008	10	510-1008	10
*16.	Square Nut, #10-24	321-1025	6	321-1025	8	321-1025	10	321-1025	10
17.	—	—	—	—	—	—	—	—	—
18.	Pool Parts List	573-3532	1	573-3532	1	573-3532	1	573-3532	1
19.	Pool Installation Instructions	573-3308	1	573-3308	1	573-3308	1	573-3308	1
20.	Safety First Booklet	573-3169	1	573-3169	1	573-3169	1	573-3169	1
21.	-----	-----	-----	-----	-----	-----	-----	-----	-----
22.	-----	-----	-----	-----	-----	-----	-----	-----	-----
23.	-----	-----	-----	-----	-----	-----	-----	-----	-----
24.	-----	-----	-----	-----	-----	-----	-----	-----	-----
25.	Warranty Card - Metal	—	1	—	1	—	1	—	1
26.	—	—	—	—	—	—	—	—	—
	TOP RAIL PACK	0-9818-615	1	0-9810-615	1	0-9812-615	2	0-9812-615	1
27.	Top Rail	587-1694	18	587-1694	22	587-1694	24	587-1694	26
	POOL LINER CARTON								
****28.	Pool Liner	0-2816-__	1	0-3418-__	1	0-3818-__	1	0-4121-__	1
29.	Chlorine/Winterizing Instructions	573-2421	1	573-2421	1	573-2421	1	573-2421	1
30.	"Warning" Decal	560-1041	3	560-1041	3	560-1041	3	560-1041	3
31.	Warranty Card - Liner	—	1	—	1	—	1	—	1
32.	—	—	—	—	—	—	—	—	—
**33.	Repair Patch	564-1000	1	564-1000	1	564-1000	1	564-1000	1
34.	"Read Me First" Booklet	573-3169	1	573-3169	1	573-3169	1	573-3169	1
35.	"Shallow" Decal, 3-3/4 ft.	560-1056	3	560-1056	3	560-1056	3	560-1056	3
36.	Shallow Decal Insert Sheet	369-1216	1	369-1216	1	369-1216	1	369-1216	1
	SIDEWALL CARTON								
37.	Sidewall - 52"	0-0552-086	1	0-0552-048	2	0-0552-088	2	0-0552-011	2
38.	Joint Piece	580-1914	1	580-1914	2	580-1914	2	580-1914	2
39.	Large Cover Plate	—	—	580-2133	1	580-2133	1	580-2133	1
40.	Small Cover Plate	—	—	580-2134	1	580-2134	1	580-2134	1
41.	"Warning" Sign	560-1046	1	560-1046	1	560-1046	1	560-1046	1
42.	"Read Me First" Booklet	573-3169	1	573-3169	1	573-3169	1	573-3169	1
43.	Adhesive Squares	310-1034	6	310-1034	6	310-1034	6	310-1034	6
44.	Safety Video	573-3498	1	573-3498	1	573-3498	1	573-3498	1
	VERTICAL PACK	0-9712-601	1	0-9714-601	1	0-9714-601	1	0-9716-601	1
45.	Vertical Side Section	580-1955	24	580-1955	28	580-1955	28	580-1955	32
	SUPPORT BASE PACK 4 — CARTON	—	—	0-8888-204	2	0-8888-204	1	0-8888-204	1
	SUPPORT BASE PACK 6 — CARTON	0-8888-206	1	—	—	0-8888-206	1	0-8888-206	1
46.	Skid Support	580-1779	6	580-1779	8	580-1779	10	580-1779	10
47.	Ground Support - Top	580-2071	6	580-2071	8	580-2071	10	580-2071	10
48.	Ground Support - Bottom	580-2072	6	580-2072	8	580-2072	10	580-2072	10
49.	Pressure Pad - Inside	580-1870	6	580-1870	8	580-1870	10	580-1870	10
50.	Pressure Pad - Outside	580-1869	6	580-1869	8	580-1869	10	580-1869	10
51.	Bottom Rail Locator	580-1792	6	580-1792	8	580-1792	10	580-1792	10
*52.	Hex Washer Head Screw, #12 x 3/4"	510-1035	36	510-1035	48	510-1035	60	510-1035	60
*53.	Hex Head Bolt, 3/8 - 16 x 3-1/2"	330-1220	24	330-1220	32	330-1220	40	330-1220	40
*54.	Hex Nut, 3/8 - 16	321-1069	24	321-1069	32	321-1069	40	321-1069	40
*55.	Hex Head Screw, 1/4 - 20 x 1/2"	510-1018	24	510-1018	32	510-1018	40	510-1018	40
*56.	Hex Nut 1/4 - 20	511-1000	24	511-1000	32	511-1000	40	511-1000	40
*57.	#10 x 1/2" Sheet Metal Screw	330-1127	36	330-1127	48	330-1127	60	330-1127	60
	SUPPORT PACK 4 CARTON	—	—	—	—	0-8852-400	1	0-8852-400	1
	SUPPORT PACK 6 CARTON	0-8852-600	1	0-8852-400	2	0-8852-600	1	0-8852-600	1
58.	Side Vertical	580-2074	6	580-2074	8	580-2074	10	580-2074	10

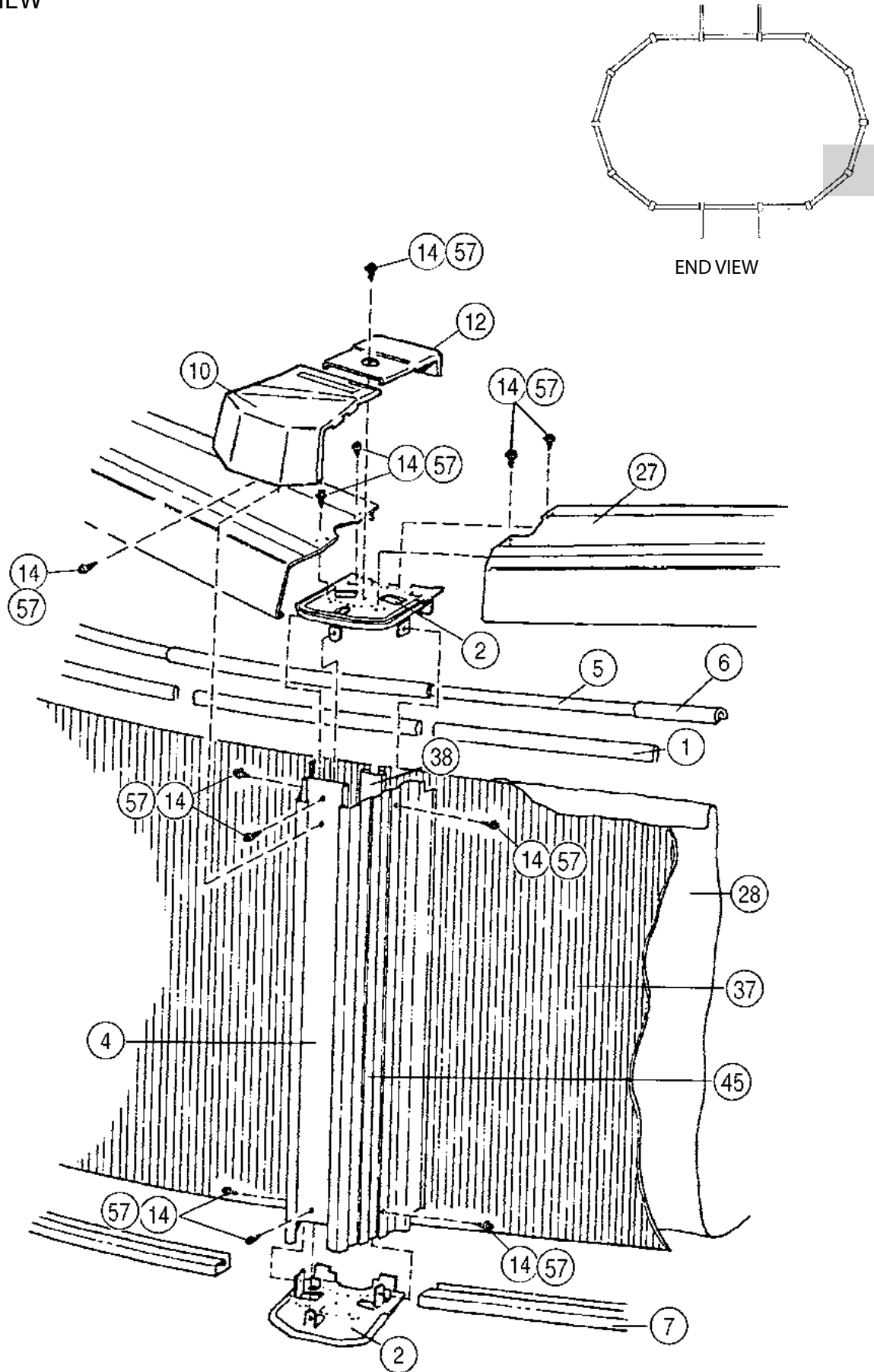
\*Screws are available in most hardware stores.

\*\*For additional patch kits order Part No. 0-5604-000.

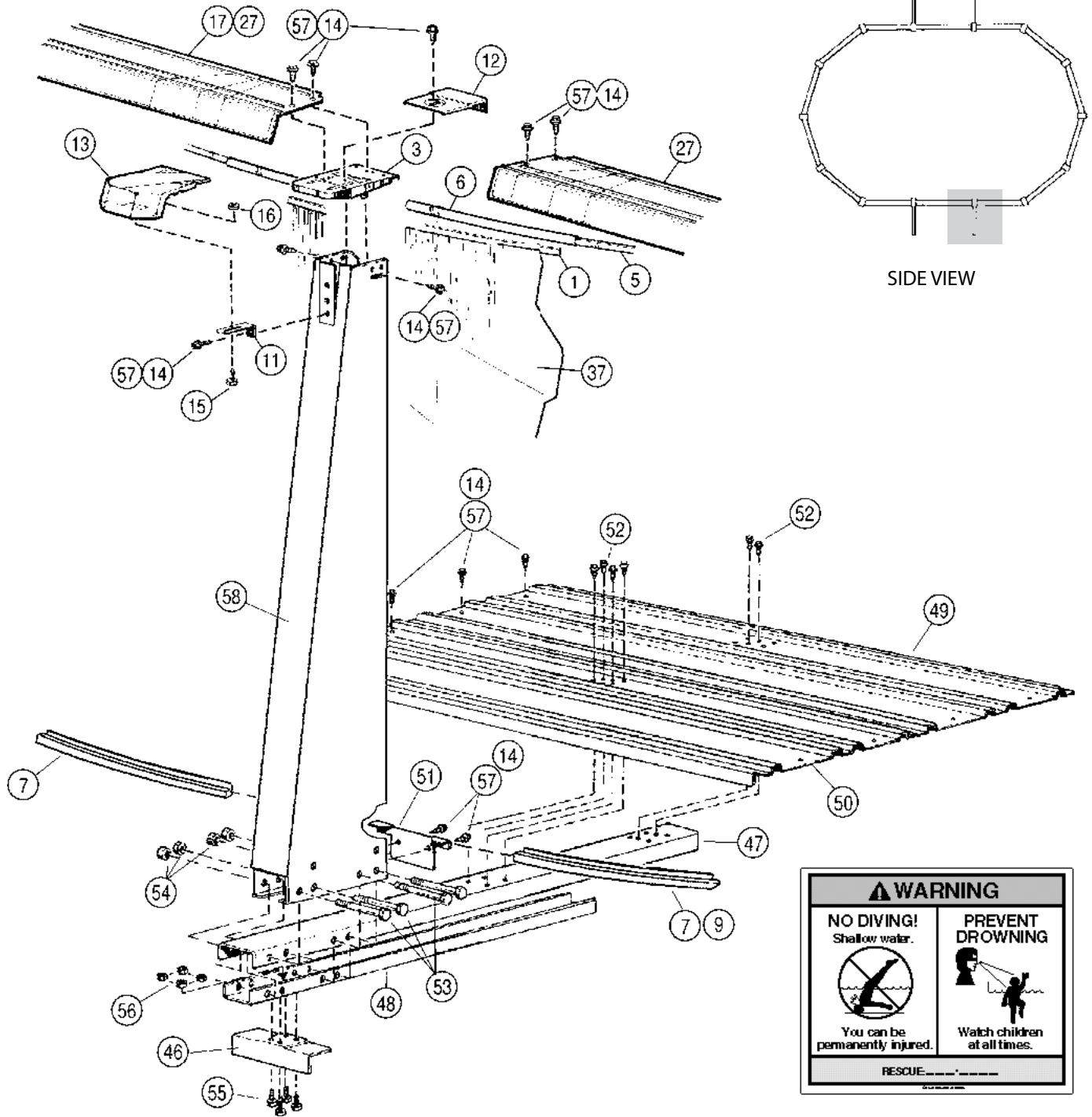
\*\*\*These stabilizers are 43 1/4" long and are used on the sides between the buttresses. Use all remaining small and large stabilizers on the ends of the pool.

\*\*\*\*Write the number of your liner in the spaces provided here and above. #\_\_\_\_\_.

EXPLODED VIEW



# EXPLODED VIEW



Important! Above-ground pools are designed for swimming and wading only. Do not Dive or Jump! Misuse of your pool may result in crippling injury and/or other dangers to life and health. Do not use slides, diving boards, or any other platform or object which can be used for improper pool entry. Use only an above-ground swimming pool ladder to enter or exit your pool. It is the pool owner's responsibility to secure the pool against unauthorized, unsupervised or unintentional entry. It is also the pool owner's responsibility to warn all pool users of the hazards of diving into shallow water: paralyzing injury may result. Always obey all safety rules. Remember, pool safety is everybody's responsibility.

Change of Design: Doughboy Recreational expressly reserves the right to change or modify the design and construction of any product in due course of their manufacturing procedures, without incurring any obligation to furnish or install such changes or modifications on products previously or subsequently sold.

**DOUGHBOY RECREATIONAL • 315 Sebastian St. • West Helena, AR 72390**  
Visit our website at [www.doughboy-pools.com](http://www.doughboy-pools.com)