

SARATOGA

10-1/2" Top Rail Round Pools

Parts List

Round Pools — Parts List

ITEM	DESCRIPTION	12'		18'		21'		24'		28'	
		PART#	QTY.	PART#	QTY.	PART#	QTY.	PART#	QTY.	PART#	QTY.
	ASSEMBLY PACK - 52"	0-9912-006	1	0-9918-006	1	0-9921-006	1	0-9924-006	1	0-9928-006	1
*1.	Plastic Coping - 24"	545-1001	22	545-1001	30	545-1001	35	545-1001	40	545-1001	46
2.	Vertical End Cap	580-1775	20	580-1775	28	580-1775	32	580-1775	36	580-1775	42
3.	Vertical Center Section - 52"	341-1490	10	341-1490	14	341-1490	16	341-1490	18	341-1490	21
4.	Stabilizer Rail - Small	583-1012	6	583-1012	9	583-1004	10	583-1004	11	583-1004	13
5.	Stabilizer Rail-Large	583-1011	6	583-1011	9	583-1005	10	583-1005	11	583-1005	13
6.	Bottom Rail	589-1046	10	589-1048	14	589-1049	16	589-1050	18	589-1051	21
**7.	Sheet Metal Screw #10 x 1/2"	330-1127	120	330-1127	168	330-1127	192	330-1127	216	330-1127	252
8.	Magnetic Socket - 5/16"	317-1016	1	317-1016	1	317-1016	1	317-1016	1	317-1016	1
9.	Top Rail	-----	---	-----	---	-----	---	-----	---	587-1638	1
10.	Vertical Side Section - 52"	-----	---	-----	---	-----	---	-----	---	341-1400	2
11.	Pool Parts List	573-3494	1	573-3494	1	573-3494	1	573-3494	1	573-3494	1
12.	Pool Installation Instructions	573-3190	1	573-3190	1	573-3190	1	573-3190	1	573-3190	1
13.	"Safety First" Booklet	573-3169	1	573-3169	1	573-3169	1	573-3169	1	573-3169	1
14.	-----	-----	---	-----	---	-----	---	-----	---	-----	---
15.	-----	-----	---	-----	---	-----	---	-----	---	-----	---
16.	-----	-----	---	-----	---	-----	---	-----	---	-----	---
17.	-----	-----	---	-----	---	-----	---	-----	---	-----	---
18.	Warranty Card	-----	---	-----	---	-----	---	-----	---	-----	---
19.	-----	-----	---	-----	---	-----	---	-----	---	-----	---
	TOP CONNECTOR PACK	0-9999-010	1	0-9999-014	1	0-9999-016	1	0-9999-018	1	0-9999-021	1
20.	Top Connector	340-1865	10	340-1865	14	340-1865	16	340-1865	18	340-1865	21
	TOP RAIL PACK (10)	0-9801-005	1	-----	---	-----	---	-----	---	-----	---
	TOP RAIL PACK (10)	-----	---	-----	---	-----	---	0-9810-005	1	0-9810-005	2
	TOP RAIL PACK (6)	-----	---	0-9806-005	1	-----	---	-----	---	-----	---
	TOP RAIL PACK (8)	-----	---	0-9808-005	1	0-9808-005	2	0-9808-005	1	-----	---
21.	Top Rail	587-1637	10	587-1638	14	587-1638	16	587-1638	18	587-1638	20
	VERTICAL PACK - 52"	0-9710-010	1	-----	---	-----	---	0-9710-010	1	0-9710-010	2
	VERTICAL PACK - 52"	-----	---	0-9706-010	1	-----	---	-----	---	-----	---
	VERTICAL PACK - 52"	-----	---	0-9708-010	1	0-9708-010	2	0-9708-010	1	-----	---
22.	Vertical Side Section - 52"	341-1400	20	341-1400	28	341-1400	32	341-1400	36	341-1400	40
	POOL LINER CARTON										
***23.	Pool Liner	0-12	1	0-18	1	0-21	1	0-24	1	0-28	1
24.	Chlorine/Winterizing Instructions	573-2421	1	573-2421	1	573-2421	1	573-2421	1	573-2421	1
25.	"Warning" Decal	560-1041	3	560-1041	3	560-1041	3	560-1041	3	560-1041	3
26.	Warranty Card	-----	1	-----	1	-----	1	-----	1	-----	1
****27.	Repair Patch	564-1000	1	564-1000	1	564-1000	1	564-1000	1	564-1000	1
*****28.	"Deeper Area" Decal	560-1042	2	560-1042	2	560-1042	2	560-1042	2	560-1042	2
29.	"Shallow" Decal, 3-1/2 Ft.	560-1043	3	560-1043	3	560-1043	3	560-1043	3	560-1043	3
29.	"Shallow" Decal, 3-3/4 Ft.	560-1056	3	560-1056	3	560-1056	3	560-1056	3	560-1056	3
30.	Shallow Decal Insert Sheet	369-1216	1	369-1216	1	369-1216	1	369-1216	1	369-1216	1
31.	"Safety First" Booklet	573-3169	1	573-3169	1	573-3169	1	573-3169	1	573-3169	1
32.	-----	-----	---	-----	---	-----	---	-----	---	-----	---
	SIDEWALL CARTON										
33.	Sidewall - 52'	0-0010-012	1	0-0010-018	1	0-0010-021	1	0-0010-024	1	0-0010-028	1
34.	Joint Piece - 52"	580-1914	1	580-1914	1	580-1914	1	580-1914	1	580-1914	1
35.	Large Cover Plate (not shown)	-----	---	-----	---	-----	---	-----	---	580-2338	1
36.	Small Cover Plate (not shown)	-----	---	-----	---	-----	---	-----	---	580-2339	1
37.	"Warning" Sign	560-1046	1	560-1046	1	560-1046	1	560-1046	1	560-1046	1
38.	"Safety First" Booklet	573-3169	1	573-3169	1	573-3169	1	573-3169	1	573-3169	1
39.	Adhesive Squares	310-1034	6	310-1034	6	310-1034	6	310-1034	6	310-1034	6
40.	Safety Video	573-2500	1	573-2500	1	573-2500	1	573-2500	1	573-2500	1

*For use with stretch-in liners only.

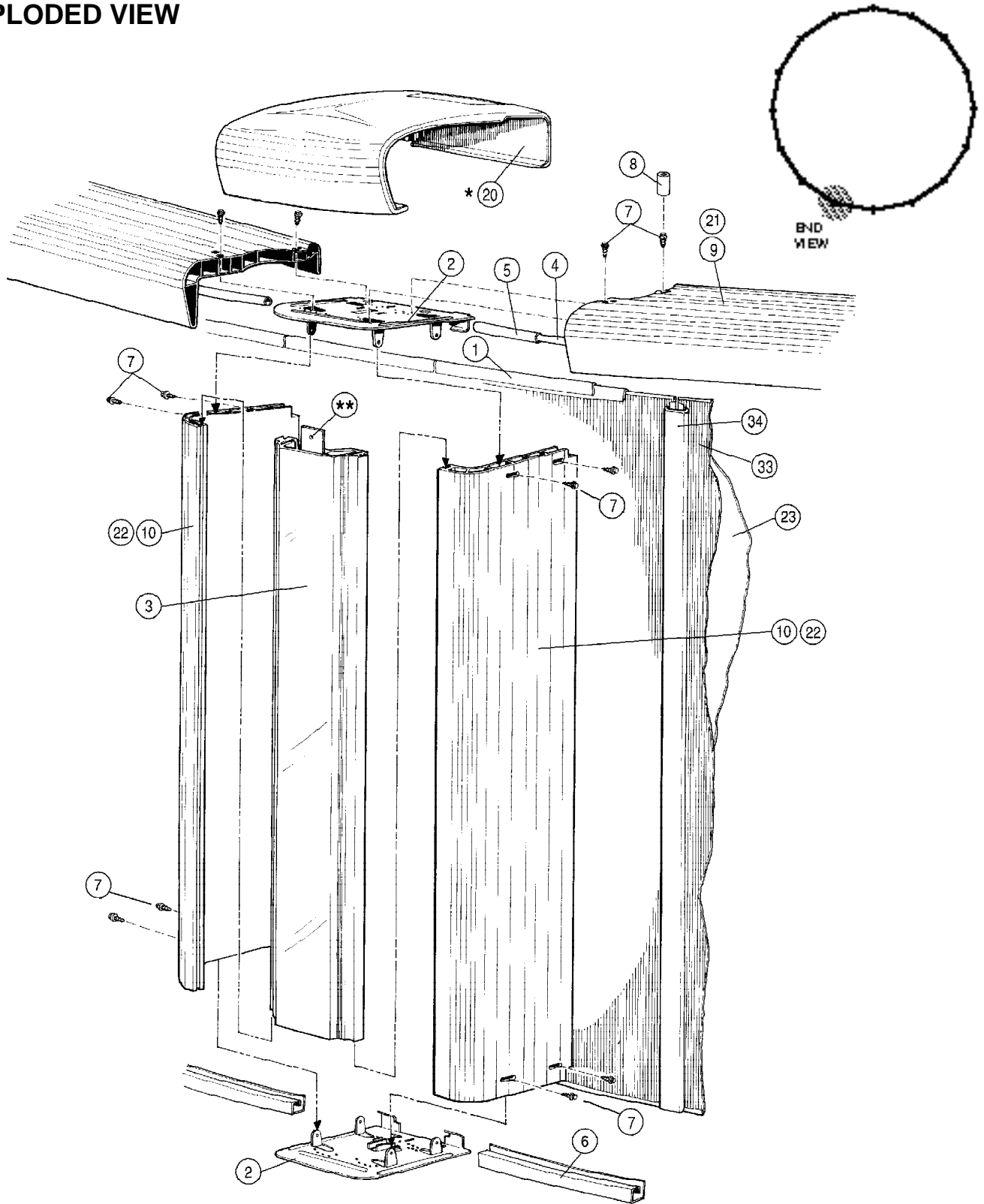
**Screws, nuts and washers are available at your local hardware store.

***For future reference, write your Liner Part No. here _____

**** For additional patch kits, order part number 0-5604-000.

***** Used for pools with deep swimming areas only.

EXPLODED VIEW



*** CAUTION:** To prevent a potentially damaging heat rise condition from occurring under your pool's winter cover, do not leave your cover on your pool too long at the beginning of the swimming season, or install it too soon at the end of the season. Warping of pool parts due to excessive heat is not considered to be a manufacturer's defect under the terms of your warranty.

** Fencing strips required and supplied with optional fencing only.



Important! Above-ground pools are designed for swimming and wading only. **Do not Dive or Jump!** Misuse of your pool may result in crippling injury and/or other dangers to life and health. Do not use slides, diving boards, or any other platform or object which can be used for improper pool entry. Use only an above-ground swimming pool ladder or entry system to enter or exit your pool. **Never attempt to swim or reach behind ladders or any other pool entry system.** It is the pool owner's responsibility to secure the pool against unauthorized, unsupervised or unintentional entry. It is also the pool owner's responsibility to warn all pool users of the hazards of diving into shallow water: paralyzing injury may result. Always obey all safety rules. Remember, pool safety is everybody's responsibility.

Safety decals and caution information provided with your pool have been endorsed by the U.S. Consumer Product Safety Commission. It is mandatory that the pool owner and installer follow the installation and use directions for all provided safety signs and decals. Juveniles must be supervised at all times by a responsible adult as directed by the USCPSC.

Change of Design: Doughboy Recreational expressly reserves the right to change or modify the design and construction of any product in due course of their manufacturing procedures, without incurring any obligation to furnish or install such changes or modifications on products previously or subsequently sold.

DOUGHBOY RECREATIONAL • 315 N. Sebastian St. • West Helena, AR 72390
Visit our website at www.doughboy-pools.com