

# Palm Shores

52 Inch Tall Round Pools

---

## Parts List



(Not Actual Pool)

# Palm Shores Round Pool — Parts List

ITEM #	DESCRIPTION	12'		16'		18'		21'		24'		28'		32'	
		PART #	QTY.	PART #	QTY.	PART #	QTY.	PART #	QTY.	PART #	QTY.	PART #	QTY.	PART #	QTY.
	<b>ASSEMBLY PACK</b>	0-9912-910	1	0-9916-910	1	0-9918-910	1	0-9921-910	1	0-9924-910	1	0-9928-910	1	0-9932-910	1
1.	Stabilizer Rail, small dia.	583-1012	6	583-1012	8	583-1012	9	583-1004	10	583-1004	11	583-1004	13	583-1065	15
2.	Stabilizer Rail, large dia.	583-1011	6	583-1011	8	583-1011	9	583-1005	10	583-1005	11	583-1005	13	583-1066	15
*3.	Plastic Coping, 24"	545-1001	22	545-1001	28	545-1001	30	545-1001	35	545-1001	40	545-1001	46	545-1001	52
4.	Vertical End Cap	580-2160	20	580-2160	24	580-2160	28	580-2160	32	580-2160	36	580-2160	42	580-2160	48
5.	Bottom Rail	589-1046	10	589-1047	12	589-1048	14	589-1049	16	589-1050	18	589-1051	21	589-1219	24
**6.	Sheet Metal Screw #10 x 1/2" Lg	330-1127	130	330-1127	156	330-1127	182	330-1127	208	330-1127	234	330-1127	273	330-1127	312
7.	Top Connector	5186-1216	10	5186-1216	12	5186-1216	14	5186-1216	16	5186-1216	18	5186-1216	21	5186-1216	24
8.	Pool Parts List	573-3560	1	573-3560	1	573-3560	1	573-3560	1	573-3560	1	573-3560	1	573-3560	1
9.	Pool Installation Instructions	573-3190	1	573-3190	1	573-3190	1	573-3190	1	573-3190	1	573-3190	1	573-3190	1
10.	"Safety First" Booklet	573-3169	1	573-3169	1	573-3169	1	573-3169	1	573-3169	1	573-3169	1	573-3169	1
11.	Warranty Card - Metal	—	1	—	1	—	1	—	1	—	1	—	1	—	1
12.	-----	—	—	—	—	—	—	—	—	—	—	—	—	—	—
13.	Connector Skirt	580-2324	10	580-2324	12	580-2324	14	580-2324	16	580-2324	18	580-2324	21	580-2324	24
14.	Connector Decor Strip	340-2646	11	340-2646	13	340-2646	15	340-2646	17	340-2646	19	340-2646	22	340-2646	25
	<b>TOP RAIL PACK</b>	-----	-----	-----	-----	-----	-----	-----	-----	-----	-----	0-9809-911	1	-----	
	<b>TOP RAIL PACK</b>	0-9801-911	1	0-9812-911	1	0-9814-911	1	0-9816-911	1	0-9809-911	2	0-9812-911	1	0-9812-911	2
15.	Top Rail	587-1702	10	587-1703	12	587-1703	14	587-1703	16	587-1703	18	587-1703	21	587-1703	24
	<b>VERTICAL PACK - 52"</b>	0-9710-910	1	0-9712-910	1	0-9714-910	1	0-9716-910	1	0-9718-910	1	0-9721-910	1	0-9712-910	2
16.	Vertical Side Section- 52"	580-2327	20	580-2327	24	580-2327	28	580-2327	32	580-2327	36	580-2327	42	580-2327	48
17.	Vertical Center Section - 52"	580-2326	10	580-2326	12	580-2326	14	580-2326	16	580-2326	18	580-2326	21	580-2326	24
	<b>POOL LINER CARTON</b>	0-_____	1	0-_____	1	0-_____	1	0-_____	1	0-_____	1	0-_____	1	0-_____	1
***18.	Pool Liner	0-_____	1	0-_____	1	0-_____	1	0-_____	1	0-_____	1	0-_____	1	0-_____	1
19.	Chlorine/Winterizing Instructions	573-2421	1	573-2421	1	573-2421	1	573-2421	1	573-2421	1	573-2421	1	573-2421	1
20.	-----	-----	-----	-----	-----	-----	-----	-----	-----	-----	-----	-----	-----	-----	-----
21.	"Warning" Decal	560-1041	3	560-1041	3	560-1041	3	560-1041	3	560-1041	3	560-1041	3	560-1041	3
22.	Warranty Card - Liner	—	1	—	1	—	1	—	1	—	1	—	1	—	1
***23.	Repair Patch	564-1000	1	564-1000	1	564-1000	1	564-1000	1	564-1000	1	564-1000	1	564-1000	1
****24.	"Deeper Area" Decal	560-1042	2	560-1042	2	560-1042	2	560-1042	2	560-1042	2	560-1042	2	560-1042	2
25.	"Shallow" Decal - 3-1/2 Ft.	560-1043	3	560-1043	3	560-1043	3	560-1043	3	560-1043	3	560-1043	3	560-1043	3
26.	"Shallow" Decal - 3-3/4 Ft.	560-1056	3	560-1056	3	560-1056	3	560-1056	3	560-1056	3	560-1056	3	560-1056	3
27.	"Shallow" Decal Insert Sheet	369-1216	1	369-1216	1	369-1216	1	369-1216	1	369-1216	1	369-1216	1	369-1216	1
28.	"Safety First" Booklet	573-3169	1	573-3169	1	573-3169	1	573-3169	1	573-3169	1	573-3169	1	573-3169	1
*****29.	E-Z Clip Installation Instructions	573-3039	1	573-3039	1	573-3039	1	573-3039	1	573-3039	1	573-3039	1	573-3039	1
	<b>SIDEWALL CARTON</b>	0-0009-012	1	0-0009-016	1	0-0009-018	1	0-0009-021	1	0-0009-024	1	0-0009-028	1	0-0009-032	2
30.	Sidewall - 52"	0-0009-012	1	0-0009-016	1	0-0009-018	1	0-0009-021	1	0-0009-024	1	0-0009-028	1	0-0009-032	2
31.	Joint Piece - 52"	580-1914	1	580-1914	1	580-1914	1	580-1914	1	580-1914	1	580-1914	1	580-1914	2
32.	Large Cover Plate (not shown)	-----	-----	-----	-----	-----	-----	-----	-----	-----	-----	580-2330	1	580-2330	2
33.	Small Cover Plate (not shown)	-----	-----	-----	-----	-----	-----	-----	-----	-----	-----	580-2331	1	580-2331	2
34.	"Warning" Sign	560-1046	1	560-1046	1	560-1046	1	560-1046	1	560-1046	1	560-1046	1	560-1046	2
35.	"Safety First" Booklet	573-3169	1	573-3169	1	573-3169	1	573-3169	1	573-3169	1	573-3169	1	573-3169	2
36.	Adhesive Squares	310-1034	6	310-1034	6	310-1034	6	310-1034	6	310-1034	6	310-1034	6	310-1034	12
37.	Safety Video	573-3498	1	573-3498	1	573-3498	1	573-3498	1	573-3498	1	573-3498	1	573-3498	2

\* For use with stretch-in liners only.

\*\* Screws, nuts and washers available at your local hardware store.

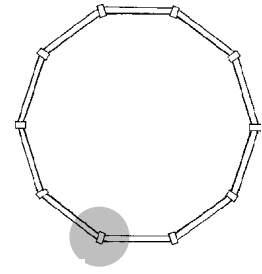
\*\*\* Write the number of your liner in the spaces provided here and above. #\_\_\_\_\_.

\*\*\*\* For Additional Patch Kits, order part number 0-5604-000.

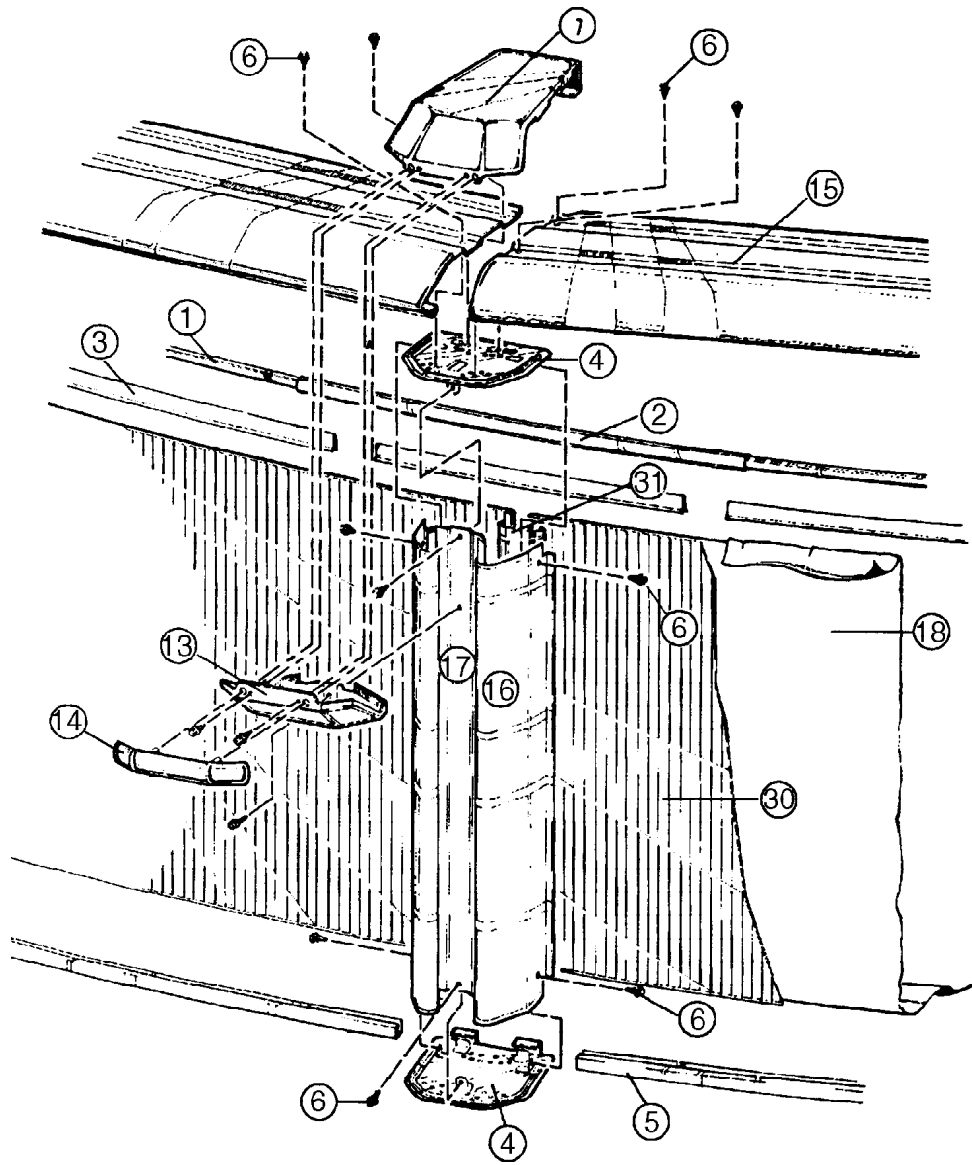
\*\*\*\*\* Used only for pools with deep swimming areas.

\*\*\*\*\* For use with E-Z Clip liners only.

# EXPLODED VIEW



END VIEW





**Important!** Above-ground pools are designed for swimming and wading only. **Do not Dive or Jump!** Misuse of your pool may result in crippling injury and/or other dangers to life and health. Do not use slides, diving boards, or any other platform or object which can be used for improper pool entry. Use only an above-ground swimming pool ladder or entry system to enter or exit your pool. **Never attempt to swim or reach behind ladders or any other pool entry system.** It is the pool owner's responsibility to secure the pool against unauthorized, unsupervised or unintentional entry. It is also the pool owner's responsibility to warn all pool users of the hazards of diving into shallow water: paralyzing injury may result. Always obey all safety rules. Remember, pool safety is everybody's responsibility.

**Safety decals and caution information provided with your pool have been endorsed by the U.S. Consumer Product Safety Commission. It is mandatory that the pool owner and installer follow the installation and use directions for all provided safety signs and decals. Juveniles must be supervised at all times by a responsible adult as directed by the USCPSC.**

**Change of Design:** Doughboy Recreational expressly reserves the right to change or modify the design and construction of any product in due course of their manufacturing procedures, without incurring any obligation to furnish or install such changes or modifications on products previously or subsequently sold.

**DOUGHBOY RECREATIONAL • 315 North Sebastian • West Helena, AR 72390**  
**Visit our website at [www.doughboy-pools.com](http://www.doughboy-pools.com)**