

# Autumn Breeze

52 Inch Tall Round Pools

---

## Parts List



## Autumn Breeze Round Pool — Parts List

ITEM #	DESCRIPTION	12'		16'		18'		21'		24'		28'	
		PART #	QTY.	PART #	QTY.	PART #	QTY.	PART #	QTY.	PART #	QTY.	PART #	QTY.
	<b>ASSEMBLY PACK</b>	0-9912-612	1	0-9916-612	1	0-9918-612	1	0-9921-612	1	0-9924-612	1	0-9928-612	1
*1.	Plastic Coping, 24"	545-1001	22	545-1001	28	545-1001	30	545-1001	35	545-1001	40	545-1001	46
2.	Vertical End Cap-Top	580-2286	10	580-2286	12	580-2286	14	580-2286	16	580-2286	18	580-2286	21
3.	Vertical End Cap-Bottom	580-1949	10	580-1949	12	580-1949	14	580-1949	16	580-1949	18	580-1949	21
4.	Stabilizer Rail, small dia.	583-1012	6	583-1012	8	583-1012	9	583-1004	10	583-1004	11	583-1004	13
5.	Stabilizer Rail, large dia.	583-1011	6	583-1011	8	583-1011	9	583-1005	10	583-1005	11	583-1005	13
6.	Bottom Rail	589-1046	10	589-1047	12	589-1048	14	589-1049	16	589-1050	18	589-1051	21
7.	Top Connector	340-2552	10	340-2552	12	340-2552	14	340-2552	16	340-2552	18	340-2552	21
**8.	Screw, #14 x 1/2"	330-1075	20	330-1075	24	330-1075	28	330-1075	32	330-1075	36	330-1075	42
**9.	Screw, #10 x 1/2"	330-1127	80	330-1127	96	330-1127	112	330-1127	128	330-1127	144	330-1127	168
10.	Outer conn. bracket	580-2159	10	580-2159	12	580-2159	14	580-2159	16	580-2159	18	580-2159	21
11.	—	—	—	—	—	—	—	—	—	—	—	—	—
12.	—	—	—	—	—	—	—	—	—	—	—	—	—
13.	Pool Installation Instructions	573-3190	1	573-3190	1	573-3190	1	573-3190	1	573-3190	1	573-3190	1
14.	Pool Parts List	573-3318	1	573-3318	1	573-3318	1	573-3318	1	573-3318	1	573-3318	1
15.	"Safety First" Booklet	573-3169	1	573-3169	1	573-3169	1	573-3169	1	573-3169	1	573-3169	1
16.	Warranty Card - Metal	—	1	—	1	—	1	—	1	—	1	—	1
	<b>TOP RAIL PACK</b>	0-9801-609	1	0-9812-609	1	0-9814-609	1	0-9816-609	1	0-9818-609	1	0-9821-609	1
17.	Top Rail	587-1447	10	587-1448	12	587-1448	14	587-1448	16	587-1448	18	587-1448	21
	<b>VERTICAL PACK - 52" POOLS</b>	—	—	—	—	0-9706-612	1	0-9708-612	2	0-9708-612	1	0-9710-612	1
	<b>VERTICAL PACK - 52" POOLS</b>	0-9710-612	1	0-9712-612	1	0-9708-612	1	—	—	0-9710-612	1	0-9711-612	1
18.	Vertical - 52"	341-1460	10	341-1460	12	341-1460	14	341-1460	16	341-1460	18	341-1460	21
	<b>POOL LINER CARTON</b>	0-12_____	1	0-16_____	1	0-18_____	1	0-21_____	1	0-24_____	1	0-28_____	1
***19.	Pool Liner	573-3039	1	573-3039	1	573-3039	1	573-3039	1	573-3039	1	573-3039	1
****20.	E-Z Clip Liner Instal. Instructions	573-2421	1	573-2421	1	573-2421	1	573-2421	1	573-2421	1	573-2421	1
21.	Chlorine/Winterizing Instructions	369-1308	1	369-1308	1	369-1308	1	369-1308	1	369-1308	1	369-1308	1
22.	Installation Instruction Insert	560-1041	3	560-1041	3	560-1041	3	560-1041	3	560-1041	3	560-1041	3
23.	"Warning" Decal	560-1042	2	560-1042	2	560-1042	2	560-1042	2	560-1042	2	560-1042	2
*****24.	"Deeper" Area Decal	—	1	—	1	—	1	—	1	—	1	—	1
25.	Warranty Card-Liner	560-1043	3	560-1043	3	560-1043	3	560-1043	3	560-1043	3	560-1043	3
26.	"Shallow" Decal, 3-1/2 ft.	560-1056	3	560-1056	3	560-1056	3	560-1056	3	560-1056	3	560-1056	3
27.	"Shallow" Decal, 3-3/4 ft.	369-1216	1	369-1216	1	369-1216	1	369-1216	1	369-1216	1	369-1216	1
28.	Shallow Decal Insert Sheet	564-1000	1	564-1000	1	564-1000	1	564-1000	1	564-1000	1	565-1000	1
*****29.	Repair Patch	573-3169	1	573-3169	1	573-3169	1	573-3169	1	573-3169	1	573-3169	1
30.	"Safety First" Booklet	—	—	—	—	—	—	—	—	—	—	—	—
	<b>SIDEWALL CARTON</b>	0-1152-012	1	0-1152-016	1	0-1152-018	1	0-1152-021	1	0-1152-024	1	0-1152-028	1
31.	Sidewall - 52" Pools	580-1914	1	580-1914	1	580-1914	1	580-1914	1	580-1914	1	580-1914	1
32.	Joint Piece - 52" Pools	560-1046	1	560-1046	1	560-1046	1	560-1046	1	560-1046	1	560-1046	1
33.	"Warning" Sign	573-3169	1	573-3169	1	573-3169	1	573-3169	1	573-3169	1	573-3169	1
34.	"Safety First" Booklet	310-1034	6	310-1034	6	310-1034	6	310-1034	6	310-1034	6	310-1034	6
35.	Adhesive Squares	573-2500	1	573-2500	1	573-2500	1	573-2500	1	573-2500	1	573-2500	1
36.	Safety Video	—	—	—	—	—	—	—	—	—	—	580-2276	1
37.	Sm. cover plate	—	—	—	—	—	—	—	—	—	—	580-2277	1
38.	Lg. cover plate	—	—	—	—	—	—	—	—	—	—	—	—

\* Used with stretch-in liners only.

\*\* Screws are available in most hardware stores.

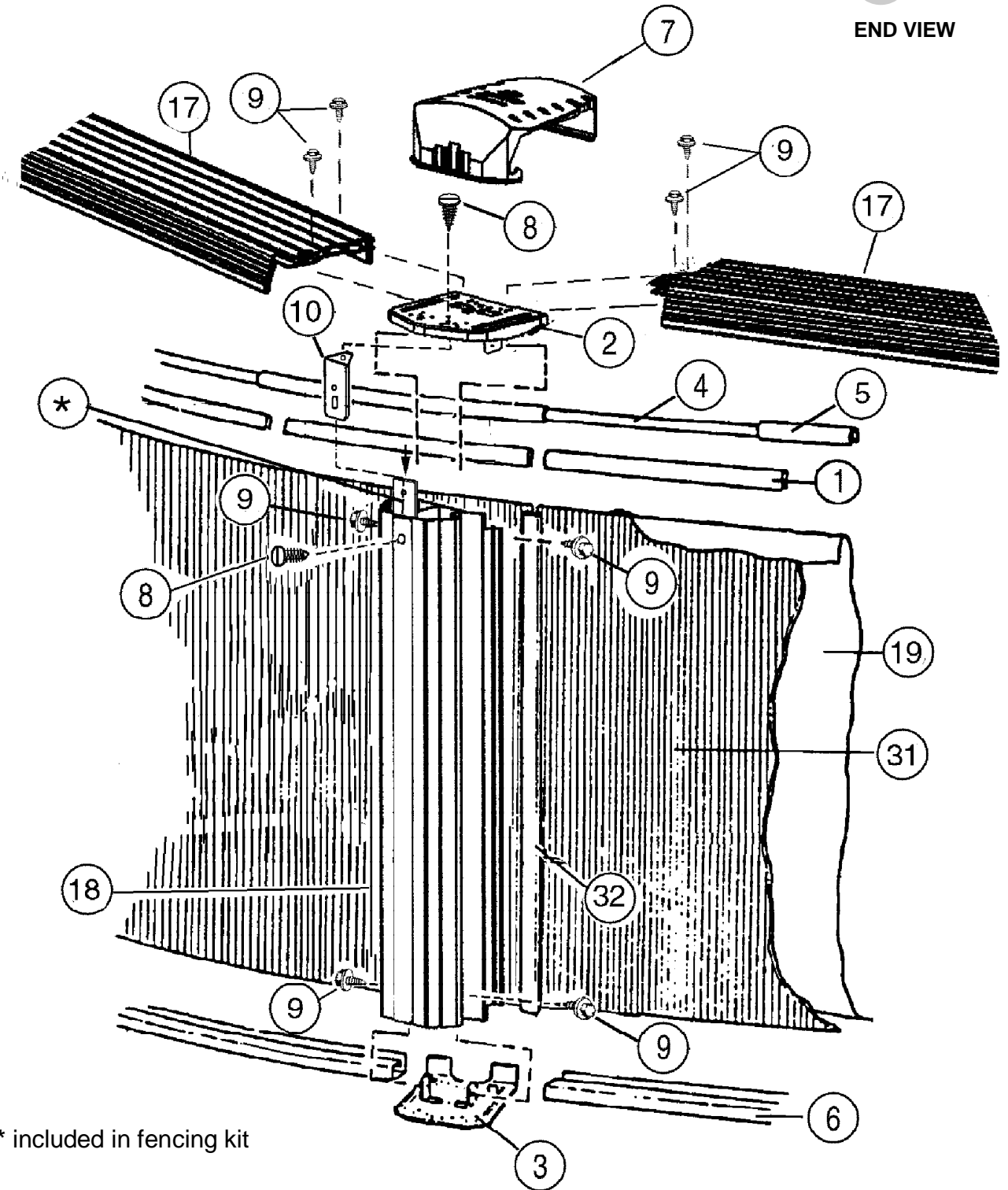
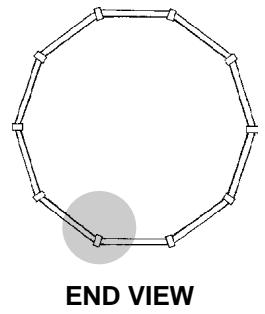
\*\*\* Write the number of your liner in the spaces provided here and above #\_\_\_\_\_.

\*\*\*\* Used with E-Z Clip Liners only.

\*\*\*\*\* Used only for pools with deep swimming areas only.

\*\*\*\*\* For additional patch kits order Part No. 0-5604-000.

# EXPLODED VIEW



\* included in fencing kit



Important! Above-ground pools are designed for swimming and wading only. **Do not Dive or Jump!** Misuse of your pool may result in crippling injury and/or other dangers to life and health. Do not use slides, diving boards, or any other platform or object which can be used for improper pool entry. Use only an above-ground swimming pool ladder or entry system to enter or exit your pool. **Never attempt to swim or reach behind ladders or any other pool entry system.** It is the pool owner's responsibility to secure the pool against unauthorized, unsupervised or unintentional entry. It is also the pool owner's responsibility to warn all pool users of the hazards of diving into shallow water: paralyzing injury may result. Always obey all safety rules. Remember, pool safety is everybody's responsibility.

**Safety decals and caution information provided with your pool have been endorsed by the U.S. Consumer Product Safety Commission. It is mandatory that the pool owner and installer follow the installation and use directions for all provided safety signs and decals. Juveniles must be supervised at all times by a responsible adult as directed by the USCPSC.**

**Change of Design:** Doughboy Recreational expressly reserves the right to change or modify the design and construction of any product in due course of their manufacturing procedures, without incurring any obligation to furnish or install such changes or modifications on products previously or subsequently sold.

**DOUGHBOY RECREATIONAL • 315 N. Sebastian St. • West Helena, AR 72390**

**Visit our website at [www.doughboy-pools.com](http://www.doughboy-pools.com)**