

Autumn Breeze

52 Inch Tall Oval Pools

Parts List



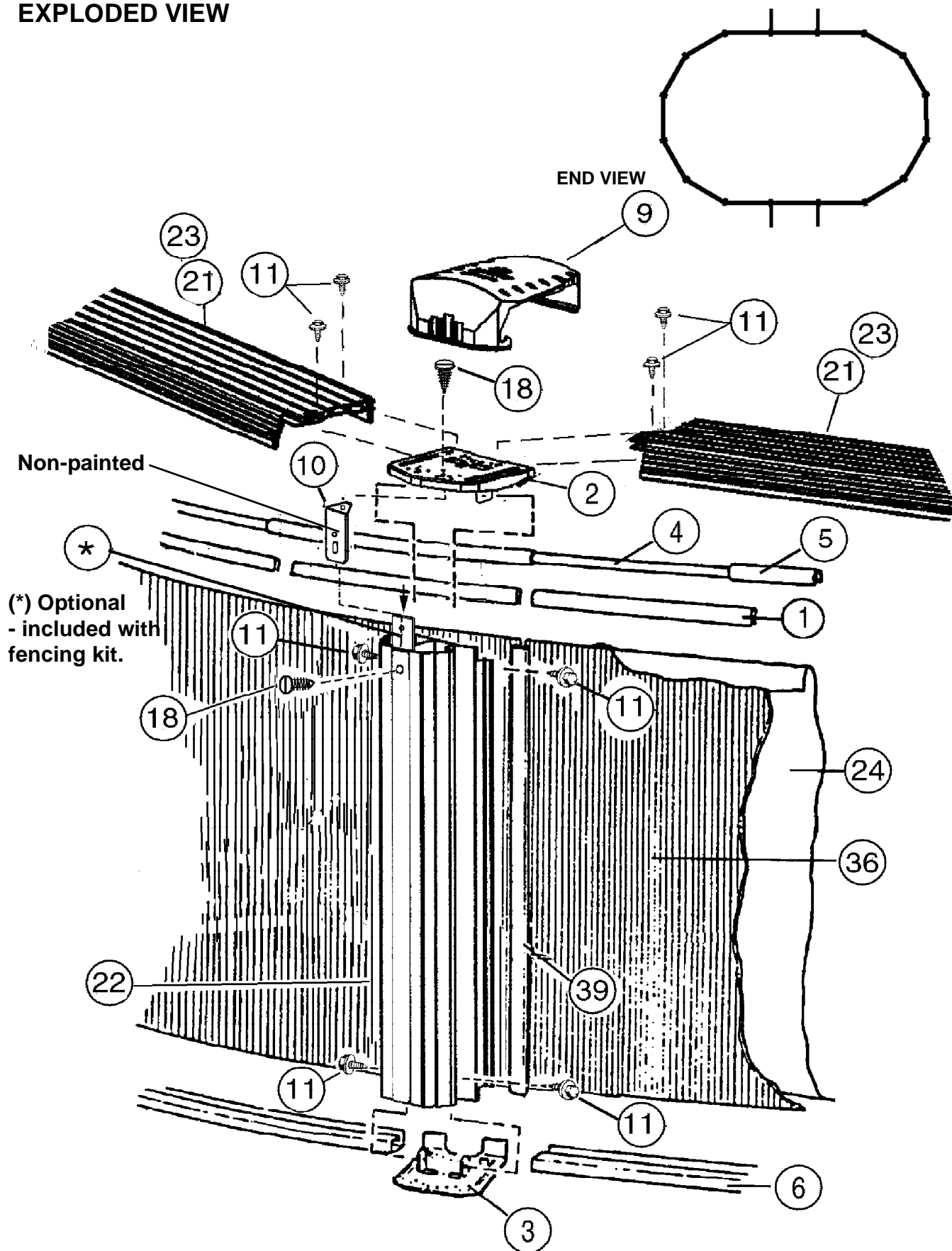
(Not actual pool)

Autumn Breeze Oval Pool — Parts List

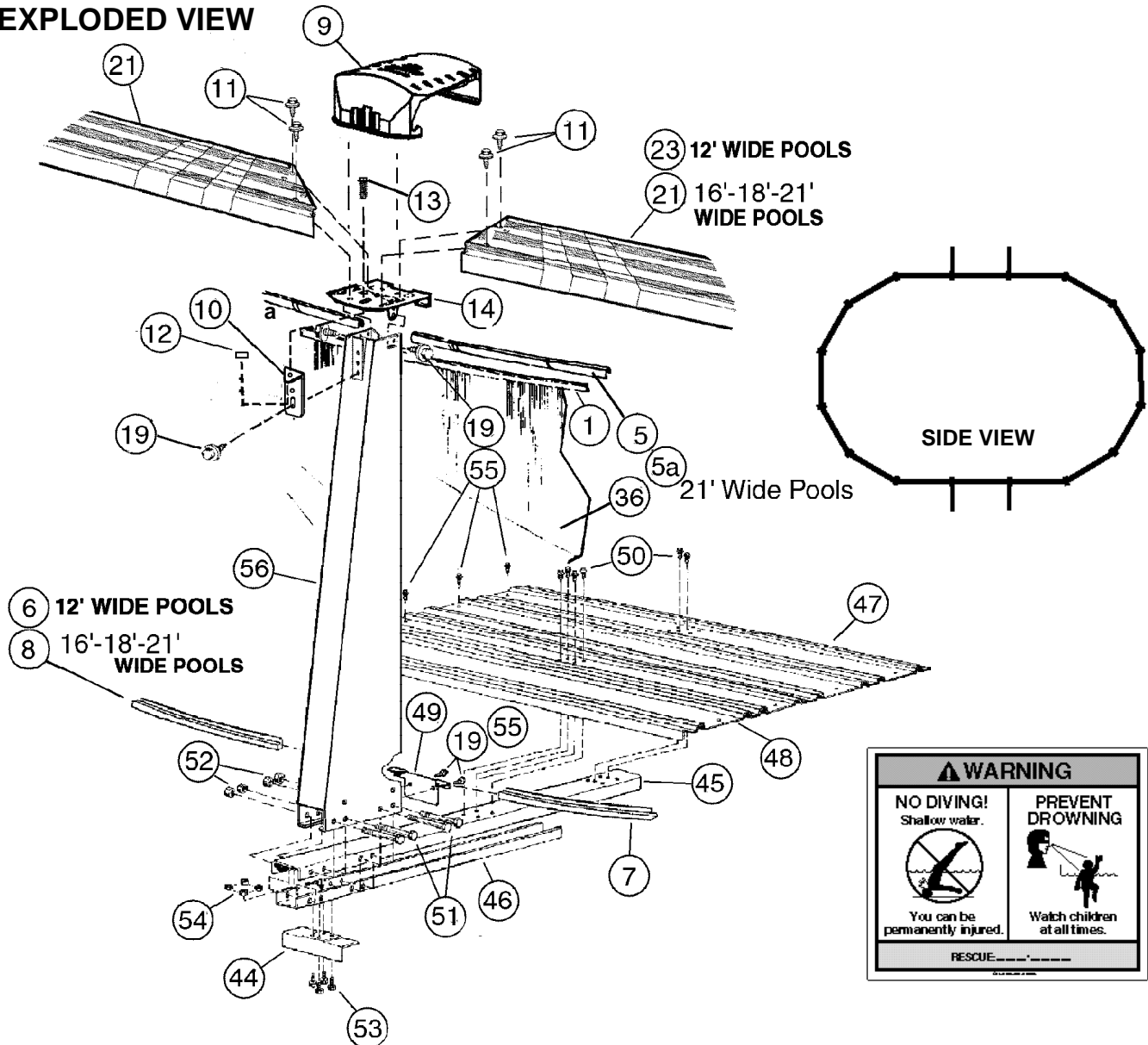
| ITEM # | DESCRIPTION | 20' x 12' | | 24' x 12' | | 28' x 12' | | 44' x 12' | | 24' x 16' | |
|----------|--|--------------|------|--------------|------|--------------|------|--------------|------|--------------|------|
| | | PART # | QTY. | PART # | QTY. | PART # | QTY. | PART # | QTY. | PART # | QTY. |
| | ASSEMBLY PACK | 0-9902-612 | 1 | 0-9942-612 | 1 | 0-9910-612 | 1 | 0-9944-612 | 1 | 0-9946-612 | 1 |
| *1. | Plastic Coping, 24" | 545-1001 | 30 | 545-1001 | 33 | 545-1001 | 37 | 545-1001 | 53 | 545-1001 | 36 |
| 2. | Vertical End Cap-Top | 580-2286 | 10 | 580-2286 | 10 | 580-2286 | 10 | 580-2286 | 10 | 580-2286 | 12 |
| 3. | Vertical End Cap-Bottom | 580-1949 | 10 | 580-1949 | 10 | 580-1949 | 10 | 580-1949 | 10 | 580-1949 | 12 |
| 4. | Stabilizer Rail, small dia. | 583-1012 | 8 | 583-1012 | 8 | 583-1012 | 8 | 583-1012 | 8 | 583-1012 | 10 |
| 5. | Stabilizer Rail, large dia. | 583-1011 | 10 | 583-1011 | 12 | 583-1011 | 14 | 583-1011 | 22 | 583-1011 | 10 |
| 6. | Bottom Rail (Stamped 12 or 16) | 589-1046 | 12 | 589-1046 | 12 | 589-1046 | 12 | 589-1046 | 12 | 589-1047 | 10 |
| 7. | Side Rail (Stamped S) | 589-1052 | 2 | 589-1052 | 4 | 589-1052 | 6 | 589-1052 | 14 | 589-1052 | 2 |
| 8. | Bottom Rail (Stamped TR) | — | — | — | — | — | — | — | — | 589-1053 | 4 |
| 9. | Top Connector | 340-2552 | 14 | 340-2552 | 16 | 340-2552 | 18 | 340-2552 | 26 | 340-2552 | 16 |
| 10. | Outer conn. bracket (non-painted) | 580-2159 | 10 | 580-2159 | 10 | 580-2159 | 10 | 580-2159 | 10 | 580-2159 | 12 |
| 10a. | Outer conn. bracket (painted)sides only | 580-2151 | 4 | 580-2151 | 6 | 580-2151 | 8 | 580-2151 | 16 | 580-2151 | 4 |
| **11. | Screw, #10 x 1/2" | 330-1127 | 120 | 330-1127 | 138 | 330-1127 | 138 | 330-1127 | 192 | 330-1127 | 138 |
| **12. | #10-24 sq. nut" | 321-1025 | 4 | 321-1025 | 6 | 321-1025 | 8 | 321-1025 | 16 | 321-1025 | 4 |
| **13. | #10-24 x 1/2" MS screw" | 510-1008 | 4 | 510-1008 | 6 | 510-1008 | 8 | 510-1008 | 16 | 510-1008 | 4 |
| 14. | Side Vertical End Cap | 580-2056 | 4 | 580-2056 | 6 | 580-2056 | 8 | 580-2056 | 16 | 580-2056 | 4 |
| 15. | Pool Parts List | 573-3559 | 1 | 573-3559 | 1 | 573-3559 | 1 | 573-3559 | 1 | 573-3559 | 1 |
| 16. | Pool Installation Instructions | 573-3308 | 1 | 573-3308 | 1 | 573-3308 | 1 | 573-3308 | 1 | 573-3308 | 1 |
| 17. | "Safety First" Booklet | 573-3169 | 1 | 573-3169 | 1 | 573-3169 | 1 | 573-3169 | 1 | 573-3169 | 1 |
| **18. | #14 x 1/2" slot hd screw | 330-1075 | 20 | 330-1075 | 20 | 330-1075 | 20 | 330-1075 | 20 | 330-1075 | 24 |
| **19. | #10 x 1/2" sheet ms | 330-1127 | 4 | 330-1127 | 6 | 330-1127 | 8 | 330-1127 | 16 | 330-1127 | 4 |
| 20. | Warranty Card - Metal | — | 1 | — | 1 | — | 1 | — | 1 | — | 1 |
| 21. | Top Rail | — | — | — | — | — | — | — | — | 587-1447 | 2 |
| | VERTICAL PACK | 0-9710-612 | 1 | 0-9710-612 | 1 | 0-9710-612 | 1 | 0-9710-612 | 1 | 0-9712-612 | 1 |
| 22. | Vertical | 341-1460 | 10 | 341-1460 | 10 | 341-1460 | 10 | 341-1460 | 10 | 341-1460 | 12 |
| | TOP RAIL PACK | 0-9841-609 | 1 | 0-9861-609 | 1 | 0-9881-609 | 1 | 0-9801-609 | 1 | 0-9814-609 | 1 |
| 23. | Top Rail | 587-1447 | 14 | 587-1447 | 16 | 587-1447 | 18 | 587-1447 | 26 | 587-1448 | 14 |
| | POOL LINER CARTON | 0-2012-_____ | 1 | 0-2412-_____ | 1 | 0-2812-_____ | 1 | 0-4412-_____ | 1 | 0-2416-_____ | 1 |
| ***24. | Pool Liner | 573-3039 | 1 | 573-3039 | 1 | 573-3039 | 1 | 573-3039 | 1 | 573-3039 | 1 |
| ***25. | E-Z Clip Liner Installation Instructions | 573-2421 | 1 | 573-2421 | 1 | 573-2421 | 1 | 573-2421 | 1 | 573-2421 | 1 |
| 26. | Chlorine/Winterizing Instructions | 573-2421 | 1 | 573-2421 | 1 | 573-2421 | 1 | 573-2421 | 1 | 573-2421 | 1 |
| 27. | Installation Instruction Insert | 369-1308 | 1 | 369-1308 | 1 | 369-1308 | 1 | 369-1308 | 1 | 369-1308 | 1 |
| 28. | "Warning" Decal | 560-1041 | 3 | 560-1041 | 3 | 560-1041 | 3 | 560-1041 | 3 | 560-1041 | 3 |
| 29. | Warranty Card - Liner | — | 1 | — | 1 | — | 1 | — | 1 | — | 1 |
| ****30. | Repair Patch | 564-1000 | 1 | 564-1000 | 1 | 564-1000 | 1 | 564-1000 | 1 | 564-1000 | 1 |
| *****31. | "Deeper" Area Decal | 560-1042 | 2 | 560-1042 | 2 | 560-1042 | 2 | 560-1042 | 2 | 560-1042 | 2 |
| 32. | "Shallow" Decal, 3-1/2 ft. | 560-1043 | 3 | 560-1043 | 3 | 560-1043 | 3 | 560-1043 | 3 | 560-1043 | 3 |
| 33. | "Shallow" Decal, 3-3/4 ft. | 560-1056 | 3 | 560-1056 | 3 | 560-1056 | 3 | 560-1056 | 3 | 560-1056 | 3 |
| 34. | Shallow Decal Insert Sheet | 369-1216 | 1 | 369-1216 | 1 | 369-1216 | 1 | 369-1216 | 1 | 369-1216 | 1 |
| 35. | "Safety First" Booklet | 573-3169 | 1 | 573-3169 | 1 | 573-3169 | 1 | 573-3169 | 1 | 573-3169 | 1 |
| | SIDEWALL CARTON | 0-1152-002 | 1 | 0-1152-042 | 1 | 0-1152-010 | 1 | 0-1152-044 | 1 | 0-1152-046 | 1 |
| 36. | Sidewall - 52" Pools | — | — | — | — | — | — | 580-2277 | 2 | — | — |
| 37. | Cover Plate - Large (not shown) | — | — | — | — | — | — | 580-2276 | 2 | — | — |
| 38. | Cover Plate - Small (not shown) | — | — | — | — | — | — | — | — | — | — |
| 39. | Joint Piece - 52" | 580-1914 | 1 | 580-1914 | 1 | 580-1914 | 1 | 580-1914 | 2 | 580-1914 | 1 |
| 40. | "Warning" Sign | 560-1046 | 1 | 560-1046 | 1 | 560-1046 | 1 | 560-1046 | 2 | 560-1046 | 1 |
| 41. | "Safety First" Booklet | 573-3169 | 1 | 573-3169 | 1 | 573-3169 | 1 | 573-3169 | 2 | 573-3169 | 1 |
| 42. | Adhesive Squares | 310-1034 | 6 | 310-1034 | 6 | 310-1034 | 6 | 310-1034 | 12 | 310-1034 | 6 |
| 43. | Safety Video | 573-2500 | 1 | 573-2500 | 1 | 573-2500 | 1 | 573-2500 | 2 | 573-2500 | 1 |
| | SUPPORT BASE PACK 4 — CARTON | 0-8888-204 | 1 | — | — | 0-8888-204 | 2 | 0-8888-204 | 1 | 0-8888-204 | 1 |
| | SUPPORT BASE PACK 6 — CARTON | — | — | 0-8888-206 | 1 | — | — | 0-8888-206 | 2 | — | — |
| 44. | Skid Support | 580-1779 | 4 | 580-1779 | 6 | 580-1779 | 8 | 580-1779 | 16 | 580-1779 | 4 |
| 45. | Ground Support - Top | 580-2071 | 4 | 580-2071 | 6 | 580-2071 | 8 | 580-2071 | 16 | 580-2071 | 4 |
| 46. | Ground Support - Bottom | 580-2072 | 4 | 580-2072 | 6 | 580-2072 | 8 | 580-2072 | 16 | 580-2072 | 4 |
| 47. | Pressure Pad - Outside | 580-1869 | 4 | 580-1869 | 6 | 580-1869 | 8 | 580-1869 | 16 | 580-1869 | 4 |
| 48. | Pressure Pad - Inside | 580-1870 | 4 | 580-1870 | 6 | 580-1870 | 8 | 580-1870 | 16 | 580-1870 | 4 |
| 49. | Bottom Rail Locator | 580-1792 | 4 | 580-1792 | 6 | 580-1792 | 8 | 580-1792 | 16 | 580-1792 | 4 |
| **50. | Hex Washer Head Screw #12 x 3/4" | 510-1035 | 24 | 510-1035 | 36 | 510-1035 | 48 | 510-1035 | 96 | 510-1035 | 24 |
| **51. | Hex Head Bolt, 3/8-16 x 3-1/2" | 330-1220 | 16 | 330-1220 | 24 | 330-1220 | 32 | 330-1220 | 64 | 330-1220 | 16 |
| **52. | Hex Nut, 3/8-16 | 321-1069 | 16 | 321-1069 | 24 | 321-1069 | 32 | 321-1069 | 64 | 321-1069 | 16 |
| **53. | Hex Head Screw, 1/4"-20 x 1/2" | 510-1018 | 16 | 510-1018 | 24 | 510-1018 | 32 | 510-1018 | 64 | 510-1018 | 16 |
| **54. | Hex Nut, 1/4"-20 | 511-1000 | 16 | 511-1000 | 24 | 511-1000 | 32 | 511-1000 | 64 | 511-1000 | 16 |
| **55. | Sheet Metal Screw, #10 x 1/2" | 330-1127 | 24 | 330-1127 | 36 | 330-1127 | 48 | 330-1127 | 96 | 330-1127 | 24 |
| | SUPPORT PACK 4 CARTON - 52" | 0-8852-408 | 1 | — | — | 0-8852-408 | 2 | 0-8852-408 | 1 | 0-8852-408 | 1 |
| | SUPPORT PACK 6 CARTON - 52" | — | — | 0-8852-608 | 1 | — | — | 0-8852-608 | 2 | — | — |
| 56. | Side Vertical - 52" | 580-2142 | 4 | 580-2142 | 6 | 580-2142 | 8 | 580-2142 | 16 | 580-2142 | 4 |

- * Used with stretch-in liners only.
- ** Screws are available in most hardware stores.
- *** Write the number of your liner in the spaces provided here and above. # _____.
- **** For use with E-Z Clip Liners only.
- ***** For additional patch kits order Part No. 0-5604-000.
- ***** Used only for pools with deep swimming areas.

EXPLODED VIEW



EXPLODED VIEW



Important! Above-ground pools are designed for swimming and wading only. **Do not Dive or Jump!** Misuse of your pool may result in crippling injury and/or other dangers to life and health. Do not use slides, diving boards, or any other platform or object which can be used for improper pool entry. Use only an above-ground swimming pool ladder or entry system to enter or exit your pool. **Never attempt to swim or reach behind ladders or any other pool entry system.** It is the pool owner's responsibility to secure the pool against unauthorized, unsupervised or unintentional entry. It is also the pool owner's responsibility to warn all pool users of the hazards of diving into shallow water: paralyzing injury may result. Always obey all safety rules. Remember, pool safety is everybody's responsibility.

Safety decals and caution information provided with your pool have been endorsed by the U.S. Consumer Product Safety Commission. It is mandatory that the pool owner and installer follow the installation and use directions for all provided safety signs and decals. Juveniles must be supervised at all times by a responsible adult as directed by the USCPSC.

Change of Design: Doughboy Recreational expressly reserves the right to change or modify the design and construction of any product in due course of their manufacturing procedures, without incurring any obligation to furnish or install such changes or modifications on products previously or subsequently sold.

DOUGHBOY RECREATIONAL • 315 N. Sebastian St. • West Helena, AR 72390

Visit our website at www.doughboy-pools.com

Autumn Breeze Oval Pool — Parts List

| ITEM # | DESCRIPTION | 28' x 16' | | 32' x 16' | | 40' x 16' | | 34' x 18' | | 38' x 18' | | 41' X 21' | |
|----------|--|------------|------|------------|------|------------|------|------------|------|------------|------|------------|------|
| | | PART # | QTY. | PART # | QTY. | PART # | QTY. | PART # | QTY. | PART # | QTY. | PART # | QTY. |
| | ASSEMBLY PACK | 0-9986-612 | 1 | 0-9926-612 | 1 | 0-9906-612 | 1 | 0-9948-612 | 1 | 0-9988-612 | 1 | 0-9911-612 | 1 |
| *1. | Plastic Coping, 24" | 545-1001 | 40 | 545-1001 | 44 | 545-1001 | 52 | 545-1001 | 46 | 545-1001 | 50 | 545-1001 | 55 |
| 2. | Vertical End Cap-Top | 580-2286 | 12 | 580-2286 | 12 | 580-2286 | 12 | 580-2286 | 14 | 580-2286 | 14 | 580-2286 | 16 |
| 3. | Vertical End Cap-Bottom | 580-1949 | 12 | 580-1949 | 12 | 580-1949 | 12 | 580-1949 | 14 | 580-1949 | 14 | 580-1949 | 16 |
| 4. | Stabilizer Rail, small dia. | 583-1012 | 10 | 583-1012 | 10 | 583-1012 | 10 | 583-1012 | 10 | 583-1012 | 10 | 583-1004 | 12 |
| 5. | Stabilizer Rail, large dia. | 583-1011 | 12 | 583-1011 | 14 | 583-1011 | 18 | 583-1011 | 16 | 583-1011 | 18 | 583-1005 | 10 |
| 5a. | Stabilizer Rail, large dia. | — | — | — | — | — | — | — | — | — | — | 583-1011 | 8 |
| 6. | Bottom Rail (Stamped 12,16,18 or 21) | 589-1047 | 10 | 589-1047 | 10 | 589-1047 | 10 | 589-1048 | 16 | 589-1048 | 16 | 589-1049 | 14 |
| 7. | Side Rail (Stamped S) | 589-1052 | 4 | 589-1052 | 6 | 589-1052 | 10 | 589-1052 | 6 | 589-1052 | 8 | 589-1052 | 8 |
| 8. | Bottom Rail (Stamped TR) | 589-1053 | 4 | 589-1053 | 4 | 589-1053 | 4 | — | — | — | — | 589-1053 | 4 |
| 9. | Top Connector | 340-2552 | 18 | 340-2552 | 20 | 340-2552 | 24 | 340-2552 | 22 | 340-2552 | 24 | 340-2552 | 26 |
| 10. | Outer conn. bracket (non-painted) | 580-2159 | 12 | 580-2159 | 12 | 580-2159 | 12 | 580-2159 | 14 | 580-2159 | 14 | 580-2159 | 16 |
| 10a. | Outer conn. bracket (painted)sides only | 580-2151 | 6 | 580-2151 | 8 | 580-2151 | 12 | 580-2151 | 8 | 580-2151 | 14 | 580-2151 | 10 |
| **11. | Screw, #10 x 1/2" | 330-1127 | 152 | 330-1127 | 166 | 330-1127 | 192 | 330-1127 | 166 | 330-1127 | 192 | 330-1127 | 224 |
| **12. | #10-24 sq. nut" | 321-1025 | 6 | 321-1025 | 8 | 321-1025 | 12 | 321-1025 | 14 | 321-1025 | 14 | 321-1025 | 10 |
| **13. | #10-24 x 1/2" MS screw" | 510-1008 | 6 | 510-1008 | 8 | 510-1008 | 12 | 510-1008 | 14 | 510-1008 | 14 | 510-1008 | 10 |
| 14. | Side Vertical End Cap | 580-2056 | 6 | 580-2056 | 8 | 580-2056 | 12 | 580-2056 | 8 | 580-2056 | 10 | 580-2056 | 10 |
| 15. | Pool Parts List | 573-3559 | 1 | 573-3559 | 1 | 573-3559 | 1 | 573-3559 | 1 | 573-3559 | 1 | 573-3559 | 1 |
| 16. | Pool Installation Instructions | 573-3308 | 1 | 573-3308 | 1 | 573-3308 | 1 | 573-3308 | 1 | 573-3308 | 1 | 573-3308 | 1 |
| 17. | "Safety First" Booklet | 573-3169 | 1 | 573-3169 | 1 | 573-3169 | 1 | 573-3169 | 1 | 573-3169 | 1 | 573-3169 | 1 |
| **18. | #14 x 1/2" slot hd screw | 330-1075 | 24 | 330-1075 | 24 | 330-1075 | 24 | 330-1075 | 28 | 330-1075 | 28 | 330-1075 | 32 |
| **19. | #10 x 1/2" sheet ms | 330-1127 | 6 | 330-1127 | 8 | 330-1127 | 12 | 330-1127 | 14 | 330-1127 | 14 | 330-1127 | 10 |
| — | — | — | — | — | — | — | — | — | — | — | — | — | — |
| 20. | Warranty Card - Metal | — | 1 | — | 1 | — | 1 | — | 1 | — | 1 | — | 1 |
| 21. | Top Rail | 587-1447 | 4 | 587-1447 | 6 | — | — | 587-1447 | 6 | 587-1447 | 8 | 587-1447 | 8 |
| | VERTICAL PACK | 0-9712-612 | 1 | 0-9712-612 | 1 | 0-9712-612 | 1 | 0-9706-612 | 1 | 0-9706-612 | 1 | 0-9708-612 | 1 |
| | VERTICAL PACK | — | — | — | — | — | — | 0-9708-612 | 1 | 0-9708-612 | 1 | — | — |
| 22. | Vertical | 341-1460 | 12 | 341-1460 | 12 | 341-1460 | 12 | 341-1460 | 14 | 341-1460 | 14 | 341-1460 | 16 |
| | TOP RAIL PACK | 0-9814-609 | 1 | 0-9814-609 | 1 | 0-9814-609 | 1 | 0-9816-609 | 1 | 0-9816-609 | 1 | 0-9818-609 | 1 |
| 23. | Top Rail | 587-1448 | 14 | 587-1448 | 14 | 587-1448 | 14 | 587-1448 | 16 | 587-1448 | 16 | 587-1448 | 18 |
| | TOP RAIL PACK | — | — | — | — | 0-9801-609 | 1 | — | — | — | — | — | — |
| 23. | Top Rail | — | — | — | — | 587-1447 | 10 | — | — | — | — | — | — |
| | POOL LINER CARTON | — | — | — | — | — | — | — | — | — | — | — | — |
| ***24. | Pool Liner | 0-2816- | 1 | 0-3216- | 1 | 0-4016- | 1 | 0-3418- | 1 | 0-3818- | 1 | 0-4121- | 1 |
| ****25. | E-Z Clip Liner Installation Instructions | 573-3039 | 1 | 573-3039 | 1 | 573-3039 | 1 | 573-3039 | 1 | 573-3039 | 1 | 573-3039 | 1 |
| 26. | Chlorine/Winterizing Instructions | 573-2421 | 1 | 573-2421 | 1 | 573-2421 | 1 | 573-2421 | 1 | 573-2421 | 1 | 573-2421 | 1 |
| 27. | Installation Instruction Insert | 369-1308 | 1 | 369-1308 | 1 | 369-1308 | 1 | 369-1308 | 1 | 369-1308 | 1 | 369-1308 | 1 |
| 28. | "Warning" Decal | 560-1041 | 3 | 560-1041 | 3 | 560-1041 | 3 | 560-1041 | 3 | 560-1041 | 3 | 560-1041 | 3 |
| 29. | Warranty Card - Liner | — | 1 | — | 1 | — | 1 | — | 1 | — | 1 | — | 1 |
| ****30. | Repair Patch | 564-1000 | 1 | 564-1000 | 1 | 564-1000 | 1 | 564-1000 | 1 | 564-1000 | 1 | 564-1000 | 1 |
| *****31. | "Deeper" Area Decal | 560-1042 | 2 | 560-1042 | 2 | 560-1042 | 2 | 560-1042 | 2 | 560-1042 | 2 | 560-1042 | 2 |
| 32. | "Shallow" Decal, 3-1/2 ft. | 560-1043 | 3 | 560-1043 | 3 | 560-1043 | 3 | 560-1043 | 3 | 560-1043 | 3 | 560-1043 | 3 |
| 33. | "Shallow" Decal, 3-3/4 ft. | 560-1056 | 3 | 560-1056 | 3 | 560-1056 | 3 | 560-1056 | 3 | 560-1056 | 3 | 560-1056 | 3 |
| 34. | Shallow Decal Insert Sheet | 369-1216 | 1 | 369-1216 | 1 | 369-1216 | 1 | 369-1216 | 1 | 369-1216 | 1 | 369-1216 | 1 |
| 35. | "Safety First" Booklet | 573-3169 | 1 | 573-3169 | 1 | 573-3169 | 1 | 573-3169 | 1 | 573-3169 | 1 | 573-3169 | 1 |
| | SIDEWALL CARTON | — | — | — | — | — | — | — | — | — | — | — | — |
| 36. | Sidewall - 52" Pools | 0-1152-086 | 1 | 0-1152-026 | 2 | 0-1152-006 | 2 | 0-1152-048 | 2 | 0-1152-088 | 2 | 0-1152-011 | 2 |
| 37. | Cover Plate - Large (not shown) | — | — | 580-2277 | 2 | 580-2277 | 2 | 580-2277 | 2 | 580-2277 | 2 | 580-2277 | 2 |
| 38. | Cover Plate - Small (not shown) | — | — | 580-2276 | 2 | 580-2276 | 2 | 580-2276 | 2 | 580-2276 | 2 | 580-2276 | 2 |
| 39. | Joint Piece - 52" | 580-1914 | 1 | 580-1914 | 2 | 580-1914 | 2 | 580-1914 | 2 | 580-1914 | 2 | 580-1914 | 2 |
| 40. | "Warning" Sign | 560-1046 | 1 | 560-1046 | 2 | 560-1046 | 2 | 560-1046 | 2 | 560-1046 | 2 | 560-1046 | 2 |
| 41. | "Safety First" Booklet | 573-3169 | 1 | 573-3169 | 2 | 573-3169 | 2 | 573-3169 | 2 | 573-3169 | 2 | 573-3169 | 2 |
| 42. | Adhesive Squares | 310-1034 | 6 | 310-1034 | 12 | 310-1034 | 12 | 310-1034 | 12 | 310-1034 | 12 | 310-1034 | 12 |
| 43. | Safety Video | 573-2500 | 1 | 573-2500 | 2 | 573-2500 | 2 | 573-2500 | 2 | 573-2500 | 2 | 573-2500 | 2 |
| | SUPPORT BASE PACK 4 — CARTON | — | — | 0-8888-204 | 2 | — | — | 0-8888-204 | 2 | 0-8888-204 | 1 | 0-8888-204 | 1 |
| | SUPPORT BASE PACK 6 — CARTON | 0-8888-206 | 1 | — | — | 0-8888-206 | 2 | — | — | 0-8888-206 | 1 | 0-8888-206 | 1 |
| 44. | Skid Support | 580-1779 | 6 | 580-1779 | 8 | 580-1779 | 12 | 580-1779 | 8 | 580-1779 | 10 | 580-1779 | 10 |
| 45. | Ground Support - Top | 580-2071 | 6 | 580-2071 | 8 | 580-2071 | 12 | 580-2071 | 8 | 580-2071 | 10 | 580-2071 | 10 |
| 46. | Ground Support - Bottom | 580-2072 | 6 | 580-2072 | 8 | 580-2072 | 12 | 580-2072 | 8 | 580-2072 | 10 | 580-2072 | 10 |
| 47. | Pressure Pad - Outside | 580-1869 | 6 | 580-1869 | 8 | 580-1869 | 12 | 580-1869 | 8 | 580-1869 | 10 | 580-1869 | 10 |
| 48. | Pressure Pad - Inside | 580-1870 | 6 | 580-1870 | 8 | 580-1870 | 12 | 580-1870 | 8 | 580-1870 | 10 | 580-1870 | 10 |
| 49. | Bottom Rail Locator | 580-1792 | 6 | 580-1792 | 8 | 580-1792 | 12 | 580-1792 | 8 | 580-1792 | 10 | 580-1792 | 10 |
| **50. | Hex Washer Head Screw #12 x 3/4" | 510-1035 | 36 | 510-1035 | 48 | 510-1035 | 72 | 510-1035 | 48 | 510-1035 | 60 | 510-1035 | 60 |
| **51. | Hex Head Bolt, 3/8-16 x 3-1/2" | 330-1220 | 24 | 330-1220 | 32 | 330-1220 | 48 | 330-1220 | 32 | 330-1220 | 48 | 330-1220 | 48 |
| **52. | Hex Nut, 3/8-16 | 321-1069 | 24 | 321-1069 | 32 | 321-1069 | 48 | 321-1069 | 32 | 321-1069 | 48 | 321-1069 | 48 |
| **53. | Hex Head Screw, 1/4"-20 x 1/2" | 510-1018 | 24 | 510-1018 | 32 | 510-1018 | 48 | 510-1018 | 32 | 510-1018 | 48 | 510-1018 | 48 |
| **54. | Hex Nut, 1/4-20 | 511-1000 | 24 | 511-1000 | 32 | 511-1000 | 48 | 511-1000 | 32 | 511-1000 | 48 | 511-1000 | 48 |
| **55. | Sheet Metal Screw, #10 x 1/2" | 330-1127 | 36 | 330-1127 | 48 | 330-1127 | 72 | 330-1127 | 48 | 330-1127 | 60 | 330-1127 | 60 |
| | SUPPORT PACK 4 CARTON - 52" | — | — | 0-8852-408 | 2 | — | — | 0-8852-408 | 2 | 0-8852-408 | 1 | 0-8852-408 | 1 |
| | SUPPORT PACK 6 CARTON - 52" | 0-8852-608 | 1 | — | — | 0-8852-608 | 2 | — | — | 0-8852-608 | 1 | 0-8852-608 | 1 |
| 56. | Side Vertical - 52" | 580-2142 | 6 | 580-2142 | 8 | 580-2142 | 12 | 580-2142 | 8 | 580-2142 | 10 | 580-2142 | 10 |

* Used with stretch-in liners only.
 ** Screws are available in most hardware stores.
 *** Write the number of your liner in the spaces provided here and above. # _____
 **** For use with E-Z Clip Liners only.
 ***** For additional patch kits order Part No. 0-5604-000.
 ***** Used only for pools with deep swimming areas.