

POOL ASSEMBLY AND INSTALLATION INSTRUCTIONS
TUSCANY OVAL POOLS

THINK "SAFETY FIRST"
 Safe and correct use of your new Doughboy pool means swimming and wading only. DO NOT DIVE OR JUMP!
 The above-ground pool is not designed for these activities!

INSTALLATION
 Installation of a Doughboy pool is not very hard, but it is a big job. The job will be easier if two or three friends help with the installation. Follow all instructions exactly. Your pool warranty is void if pool assembly and installation instructions are not followed 100%. Read all instructions provided with accessories such as filter, pump, skimmer, etc. prior to starting. Plan 3-5 days for pool assembly and installation. Avoid windy days. Before you start, check to see that you have the correct number of parts. Use your Parts List, which is broken down by carton. Do not throw away any of the inspection slips or cartons until you are sure you have all the parts. Your dealer will promptly replace any missing parts. The warranty is void if the design of the pool is altered in any way. No changes may be made to any of the parts. The pool must be assembled according to Doughboy's instructions. You must be completely satisfied with the completed pool installation, whether self-installed or professionally installed, before proceeding with additional landscaping.

CONTRACT INSTALLATION
 Doughboy Recreational is in no way affiliated with any professional pool installer. Therefore, Doughboy can assume no responsibility for errors in installation by the homeowner or said professional installer. If you have the pool installed by others, please supervise to be sure they comply with proper installation techniques as shown.

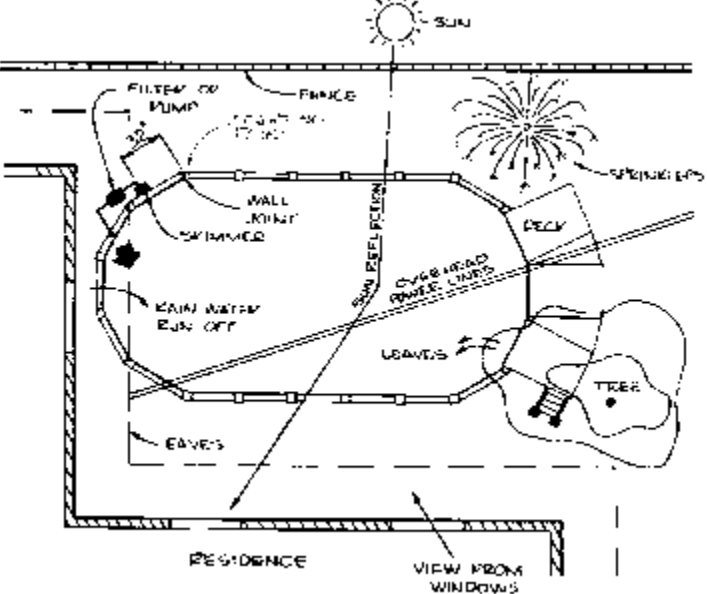
LOCAL CODES
 Check to see if building permits or utility clearances are required. Obey all safety codes for fencing and all electrical codes.

SPECIAL CARE
 Doughboy pools are designed to exceed industry recommended safety factors. However, special care must be taken with certain installation procedures that the installer performs and controls.
 1) **Framework must be level** - Referring to "Installation Cautions" shown at right, six pool installations illustrate improper methods of installation or errors during the leveling of the ground (Step 2) or positioning of the patio blocks (Step 10). The entire pool framework must sit on flat (level) ground. An out-of-level condition will produce stresses in the pool structure and/or deformities in the wall that could cause pool wall failure.
 2) **Wall joint and joint piece** - This is where the wall joins together. Damage to the wall joint or joint piece reduces the safety factor and can result in a weak installation. Follow instructions using extreme care.
 3) **Cove** - The cove keeps the liner from creeping out from under the pool wall. Follow instructions to the letter. Don't short-cut or substitute materials. Do not use materials that will shift. Improperly installed pools can rupture, allowing thousands of gallons of water to rush out and cause extensive property damage and personal injury.
 4) **Set up pool on soil surface** - For approved below-grade installation instructions, see your Doughboy dealer. Doughboy pools are not designed to be installed below-grade (buried) using these instructions. Outside ground forces can collapse the pool wall.
 5) **External Support** - The excavation and use of 8" x 8" x 16" concrete blocks (Steps 4-7) to reinforce the side supports is a critical structural detail which cannot be varied from instruction. These blocks and the firm undisturbed soil around them become the load bearing components for the forces on the pool sides. DO NOT substitute other building materials for the concrete blocks.

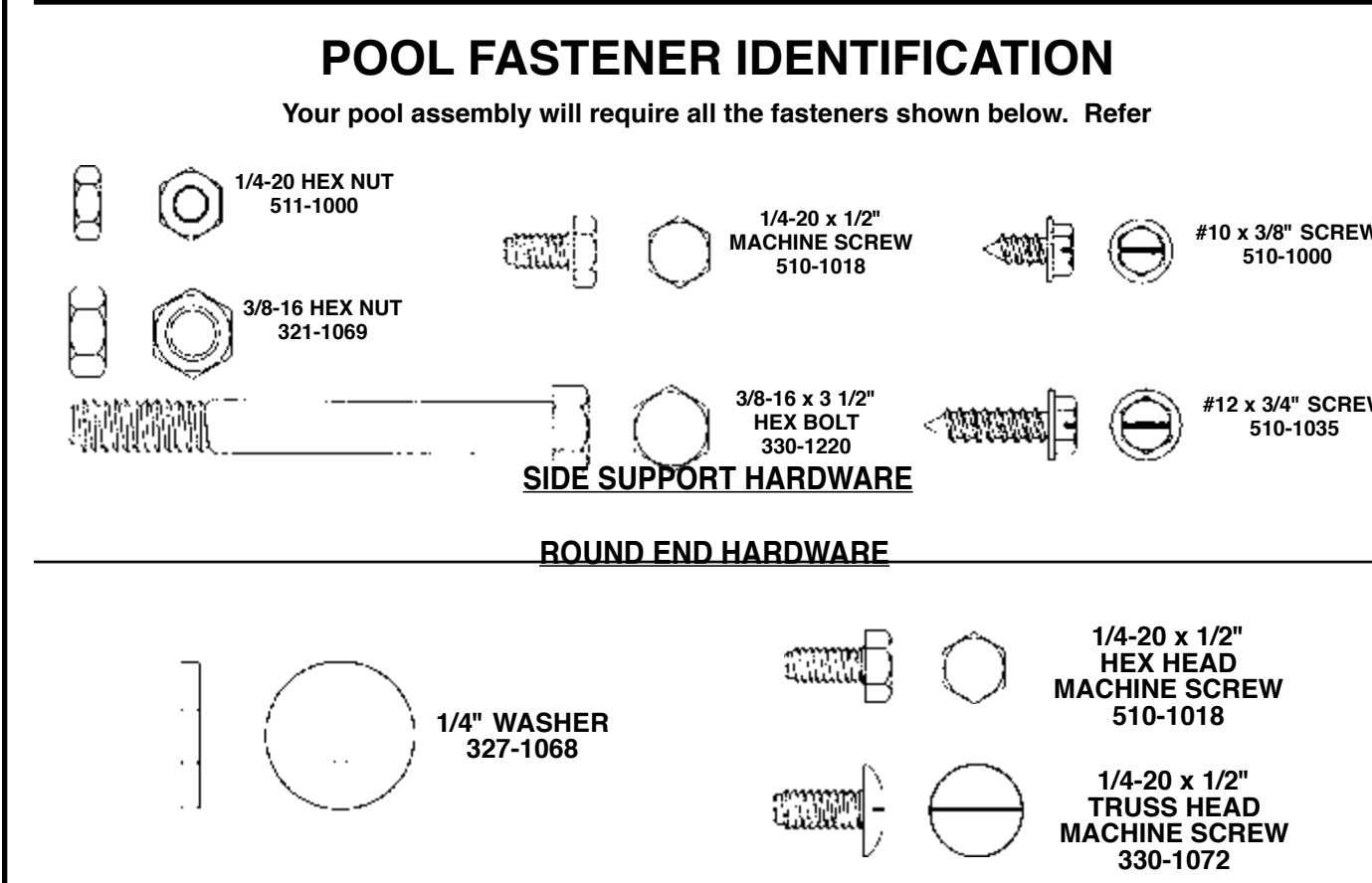
HOW TO USE THESE INSTRUCTIONS
 These installation instructions are used in conjunction with your pool parts list for identifying parts as referred to in each step. Your pool can be excavated for a deep swimming area if the liner cartons list labeled 20 Mil. or 25 Mil. Expandable (see Step 3).

PRELIMINARY PLANNING
IMPORTANT: Before beginning your pool installation, take a few minutes to consider the following points:

1. Check wall clearances to allow enough working area for your pool installation.
2. Check for easements.
3. Avoid trees and roots; do not allow leaves to fall into the pool.
4. Avoid overhead power lines.
5. Avoid underground piping and cables.
6. Keep sprinklers away from pool sides.
7. Select a pool site that allows for the proper supervision of swimmers as well as viewing children near the pool.
8. Position the pump and filter near convenient electrical outlets.
9. Avoid overhanging eaves to prevent water and debris runoff from your roof.
10. Allow 12 inches of undisturbed soil around your pool (clearance radius).
11. No sudden slopes within 6 feet of your pool.
12. Do not install your pool on any abrasive area, such as concrete, asphalt, peat moss, tar paper, gravel, wood, top of grass, or on soil which has recently undergone petroleum based chemical treatments.
13. Treat the ground inside the pool area with a non-petroleum based fungicide (available at garden supply shops). This may help prevent fungus stains on the liner. Consult your Doughboy pool dealer.
14. Do not install liner on nut grass or Bermuda grass. See your dealer for special instructions.
15. Rid pool area of burrowing pests and insects such as gophers and termites.
16. Avoid windy days during installation.
17. Have 2 or 3 helpers to assist you during pool assembly.

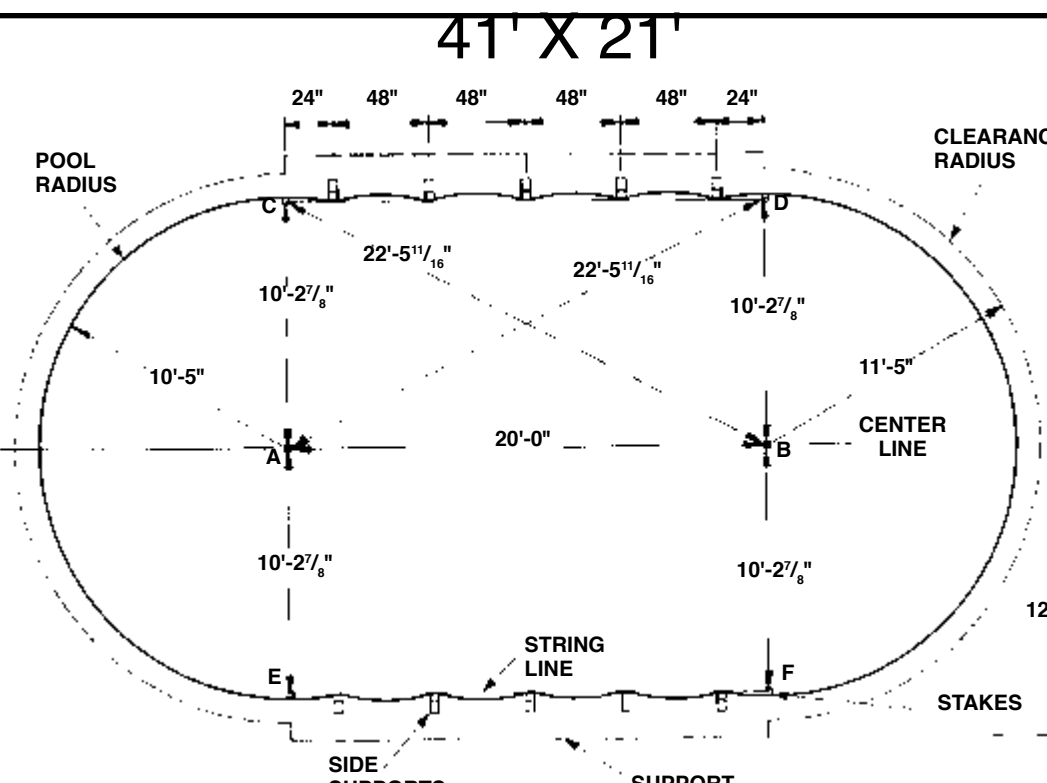
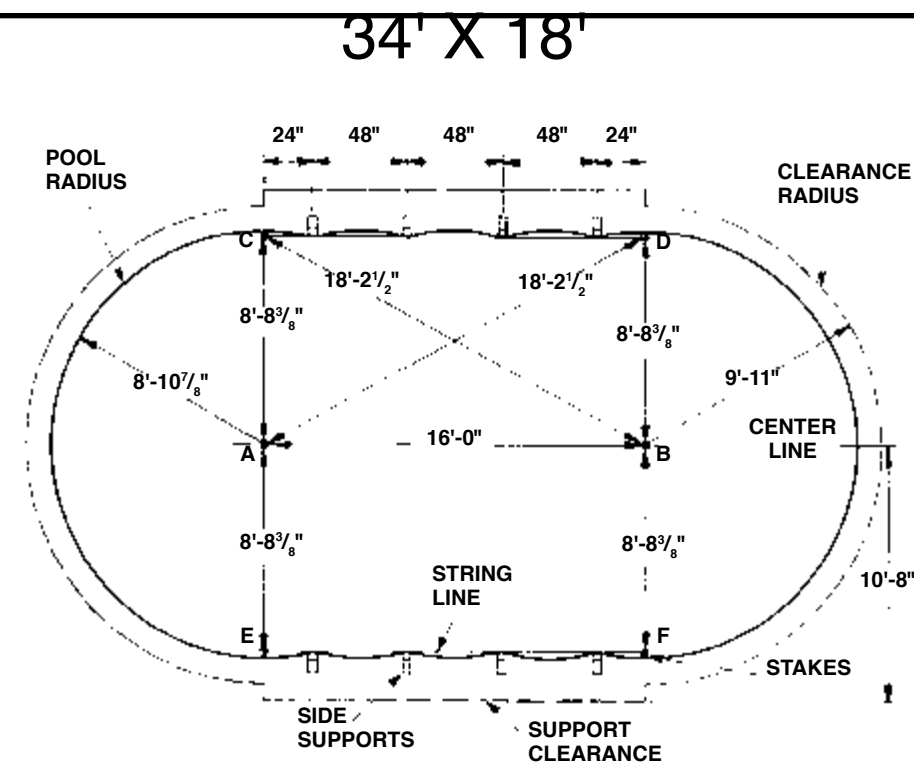
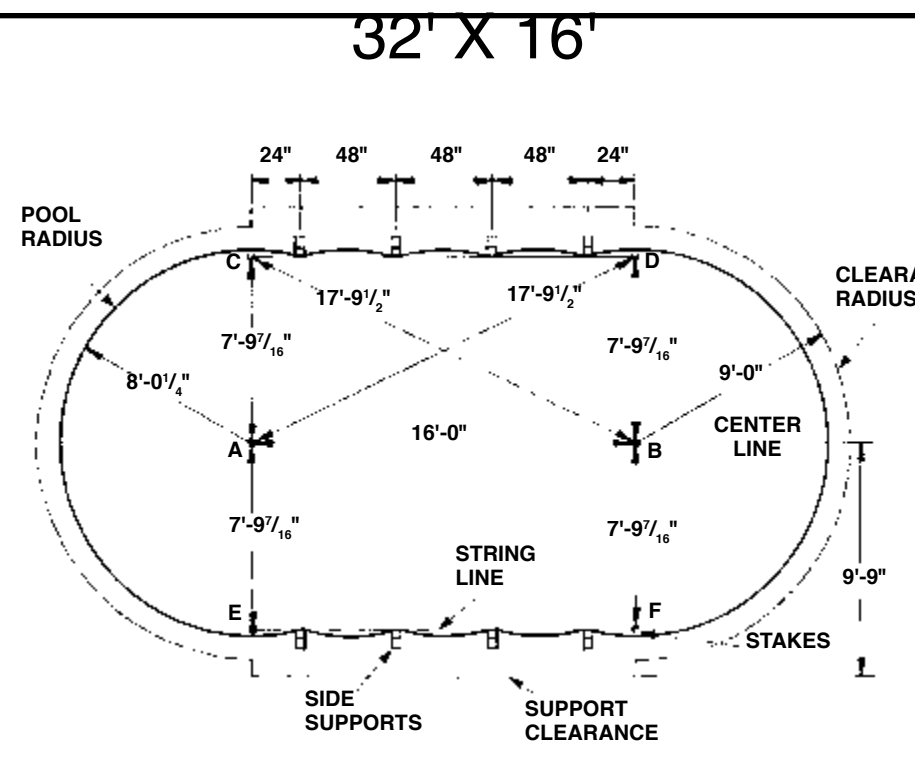


- TOOLS AND MATERIALS REQUIRED**
- Materials Needed -**
- Nails - 2 1/2" Long (1 Doz.)
 - 12" x 12" x 2" patio blocks (Optional)
 - 12 req'd for 32' x 16'
 - 14 req'd for 34' x 18'
 - 16 req'd for 41' x 21'
 - 8" x 8" x 16" concrete blocks
 - 8 each for 32' x 16'
 - 8 each for 34' x 18'
 - 10 each for 41' x 21'
 - Quick Set Cement (60 lb. Bags)
 - 4 (dry weight) for 32' x 16'
 - 4 (dry weight) for 34' x 18'
 - 5 (dry weight) for 41' x 21'
 - Ball of heavy string
 - Spring Clamps - 3" size (Stretch-in)
- liners only - available from your local Doughboy dealer or hardware store**
- 40 req'd for 32' x 16'
 - 44 req'd for 34' x 18'
 - 52 req'd for 41' x 21'
 - 2" x 4" board (See Step 2 for length)
 - Duct tape (2" wide)
 - Wood stakes - 2" x 2" x 18" (approx. 12)
 - Enamel, fast drying (Not lacquer) (Step 13)
 - Pool coving (See Step 16)
- Tools Required**
- 2' Carpenters level (Transit recommended)
 - Hammer
 - Flat end shovel
 - 5/16" Hex nut driver
 - 25' Tape measure
 - Garden rake
 - Tamping tool
 - Roller (if available)
 - Screwdriver, flat end (Large)
 - 2 or 3 Garden hoses (Fill pool)
 - Two 7/16" wrenches
 - Two 9/16" wrenches
 - Felt tip marking pen
 - Carpenters saw
 - Sifting screen (To remove 1/8" pebbles and larger)
 - Sharp knife or single edge razor blade
 - Pliers
 - Drill/Bit (See Step 2)
 - Small paint applicator (Q-Tip or brush)

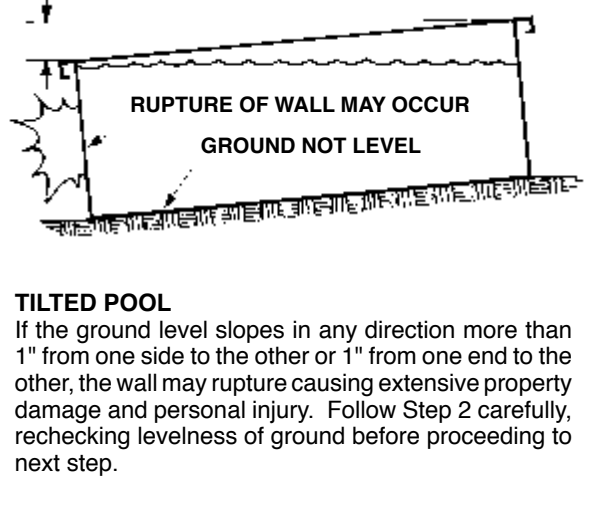
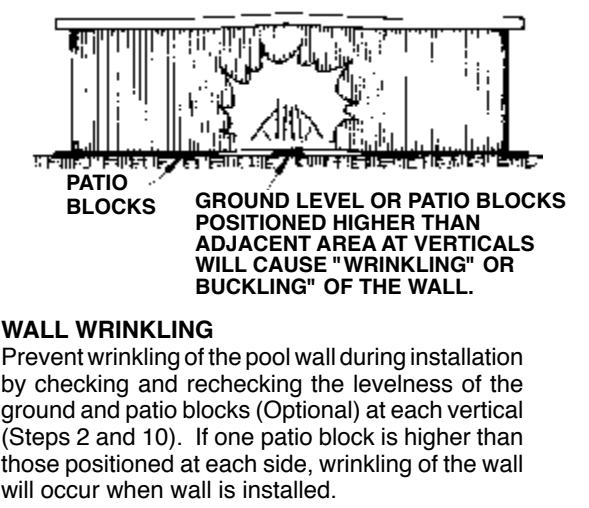
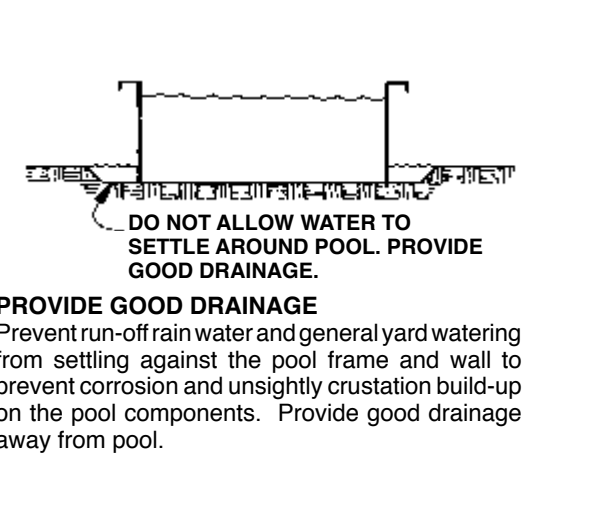
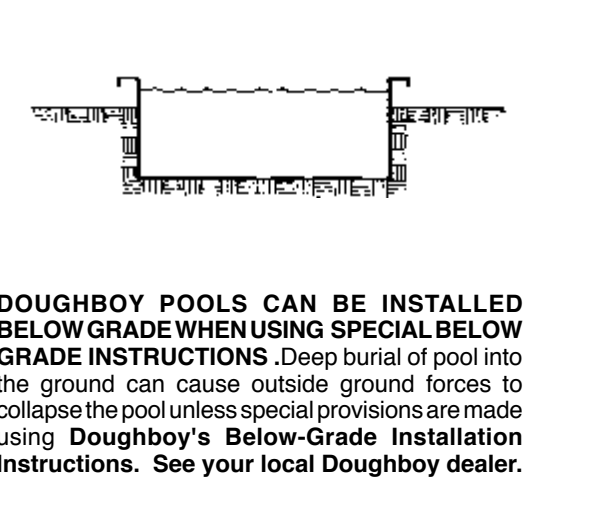
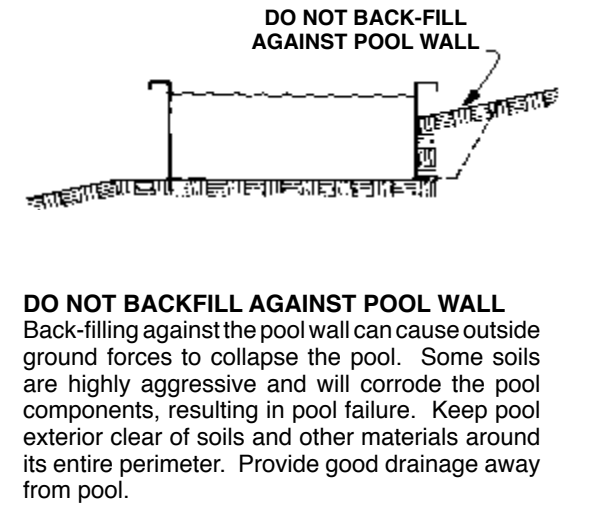
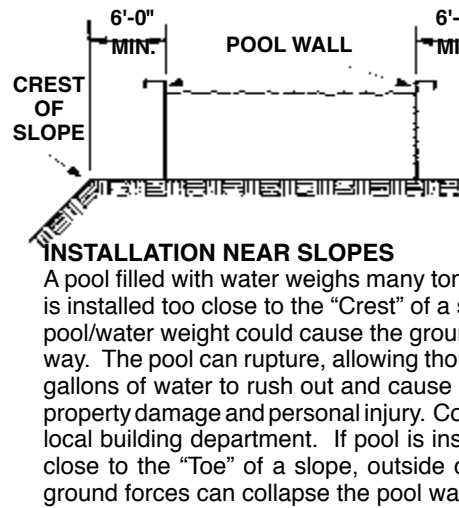


POOL LAYOUT DIMENSIONS

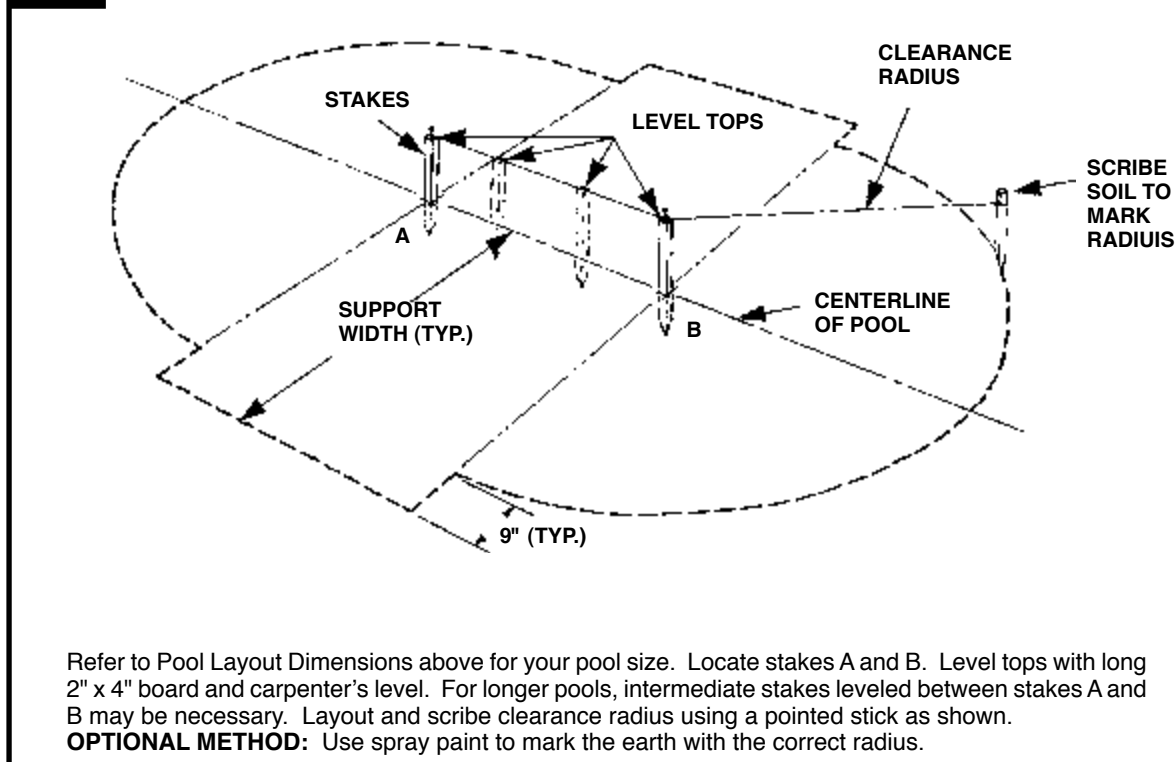
Numbers across the top represent the pool size in feet (length and width) of Doughboy's Tuscan oval above ground family pools. Below each size is a plan of that pool with a clearance radius (dash lines) which is required for external pool parts. Be sure to read "Preliminary Planning" before starting installation.



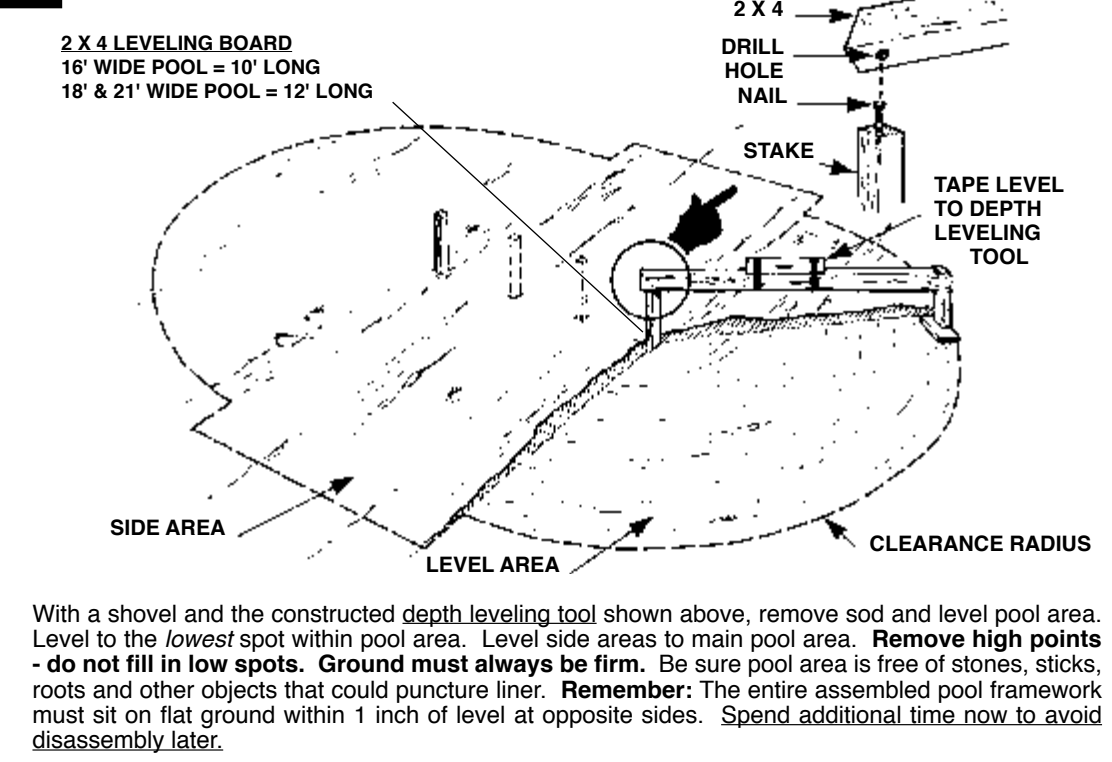
INSTALLATION CAUTIONS ATTENTION: Doughboy Pools can be installed below-grade by using Doughboy's Below-Grade Installation Instructions. See your local Doughboy dealer.



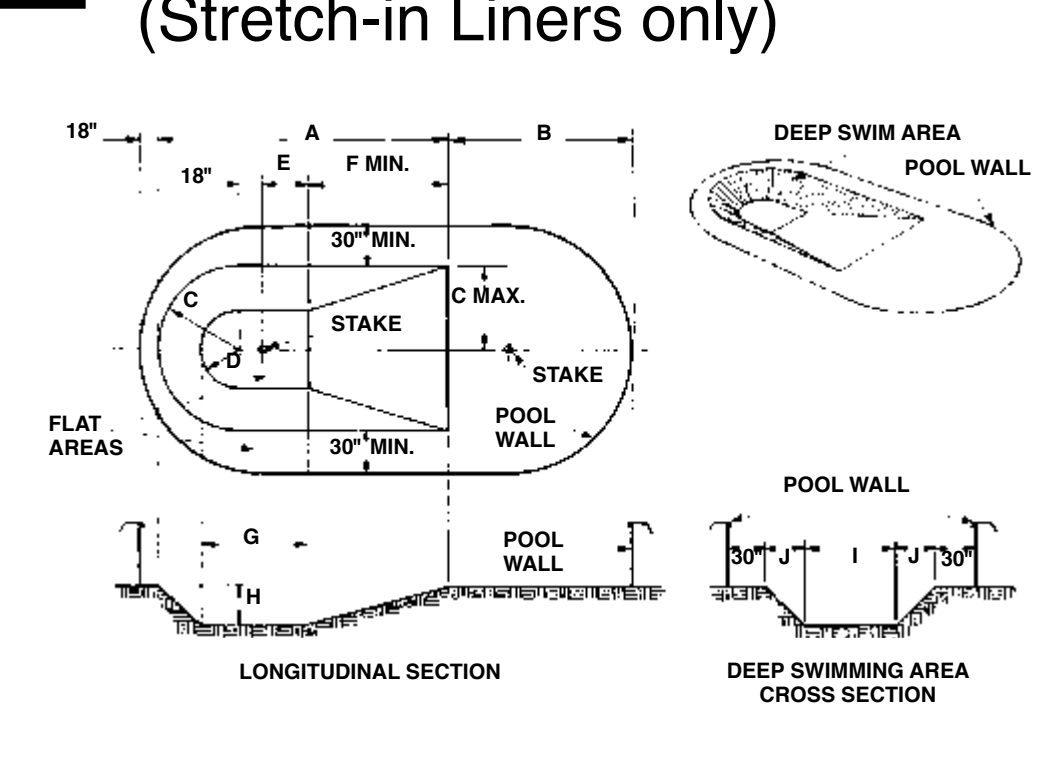
1 POOL LAYOUT



2 GROUND LEVELING



3 OPTIONAL SPECIAL PURPOSE DEEP SWIMMING AREA (Stretch-in Liners only)

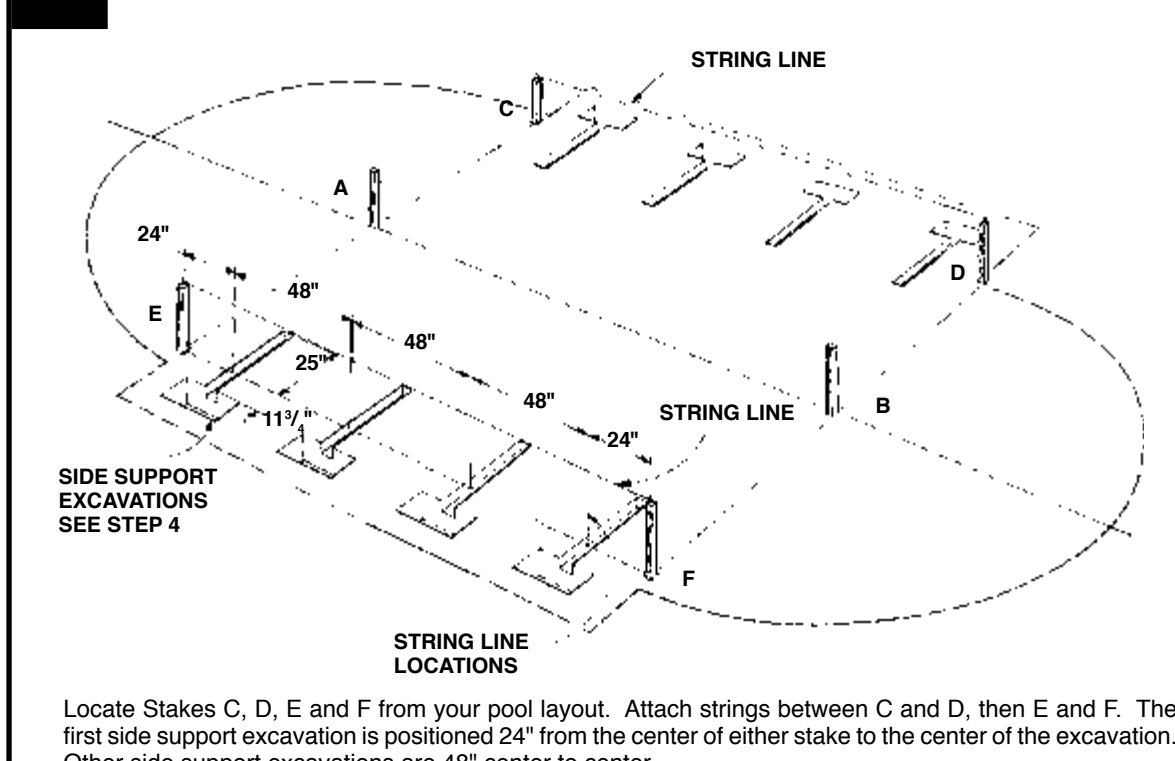


20 MIL. STRETCH-IN LINERS OR THICKER ONLY. You may decide to excavate a deep swimming area as shown above. The Deep Swimming Area is for underwater swimming only. NO DIVING. NO JUMPING. To excavate the deep swimming area, use the layout illustrations above, along with the measurements from the chart for your size pool.

Using either stake 'A' or 'B' as your reference point, lay out and excavate area to the dimensions shown in the above chart for your size pool. Remember **DO NOT DIVE OR JUMP** into the pool. The excavation is intended to provide a deeper and wider swimming area only.

FIGURE	POOL SIZE		
	32' X 16'	34' X 18'	41' X 21'
A	19'-6"	24'-6"	25'-6"
B	11'-0"	11'-0"	14'-0"
C	5'-0"	6'-0"	7'-6"
D	2'-0"	3'-0"	4'-6"
E	4'-0"	5'-0"	7'-6"
F	9'-0"	9'-0"	9'-0"
G	7'-6"	9'-6"	13'-6"
H	3'-0"	3'-0"	3'-0"
I	4'-0"	6'-0"	9'-0"
J	3'-0"	3'-0"	3'-0"

4 STAKES AND STRING LINES



5 SIDE SUPPORT EXCAVATIONS

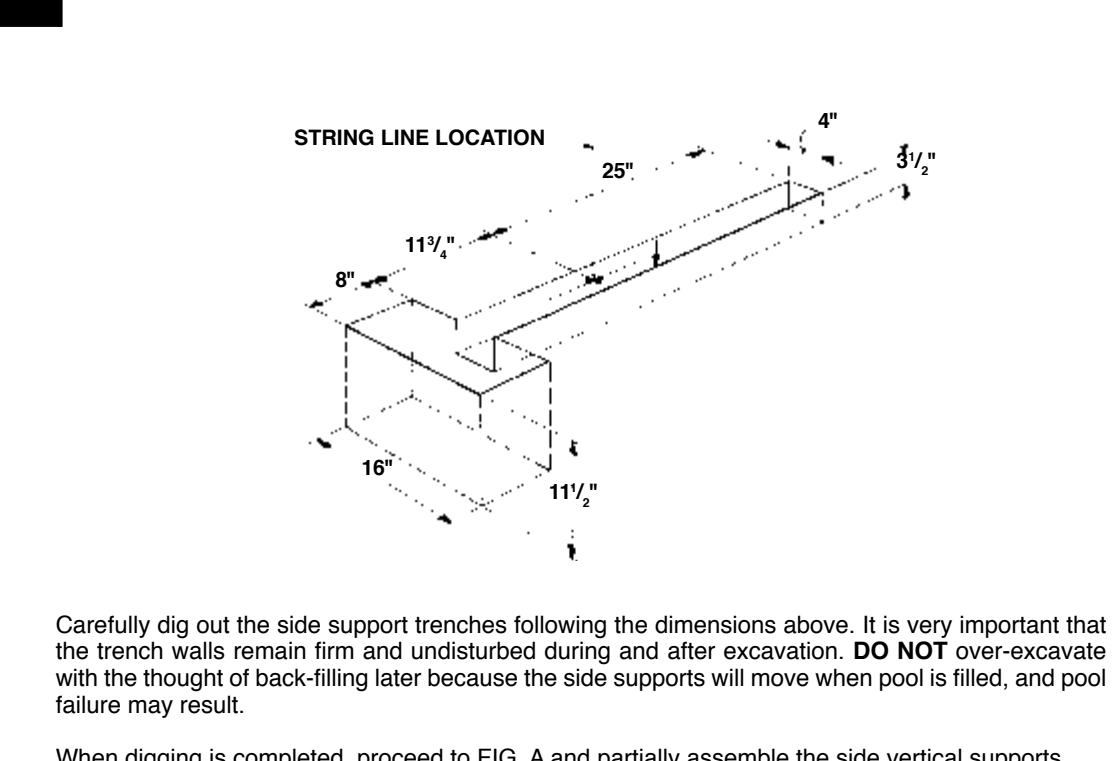


FIG. A EXPLODED SIDE SECTION

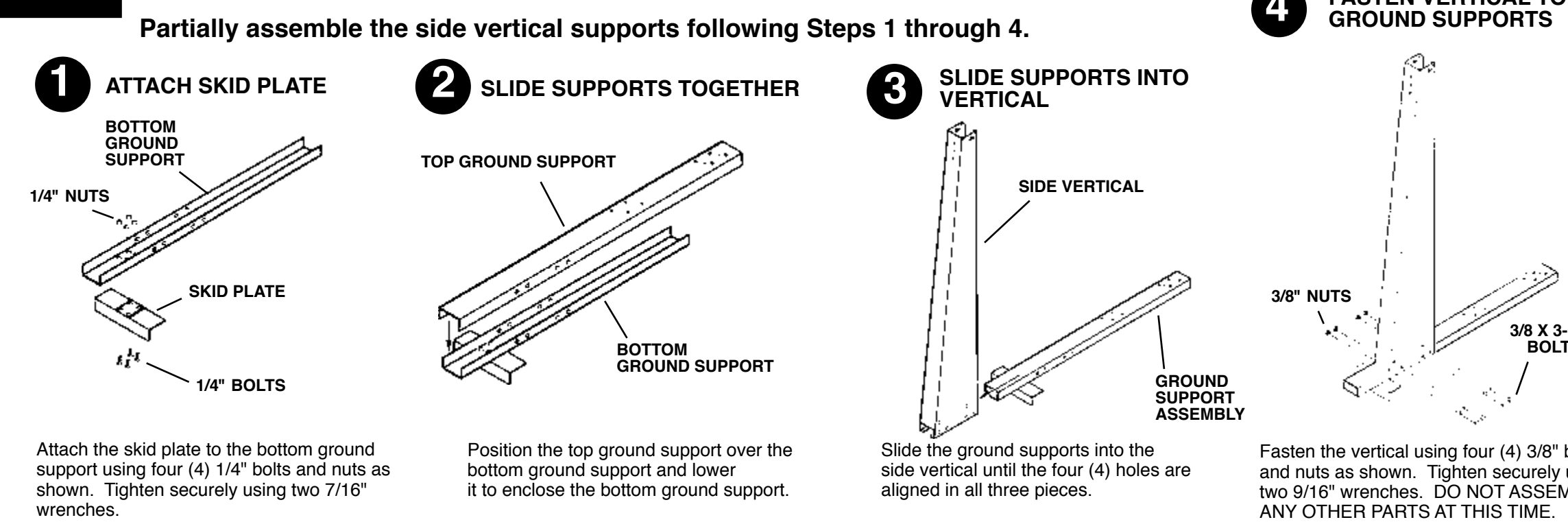
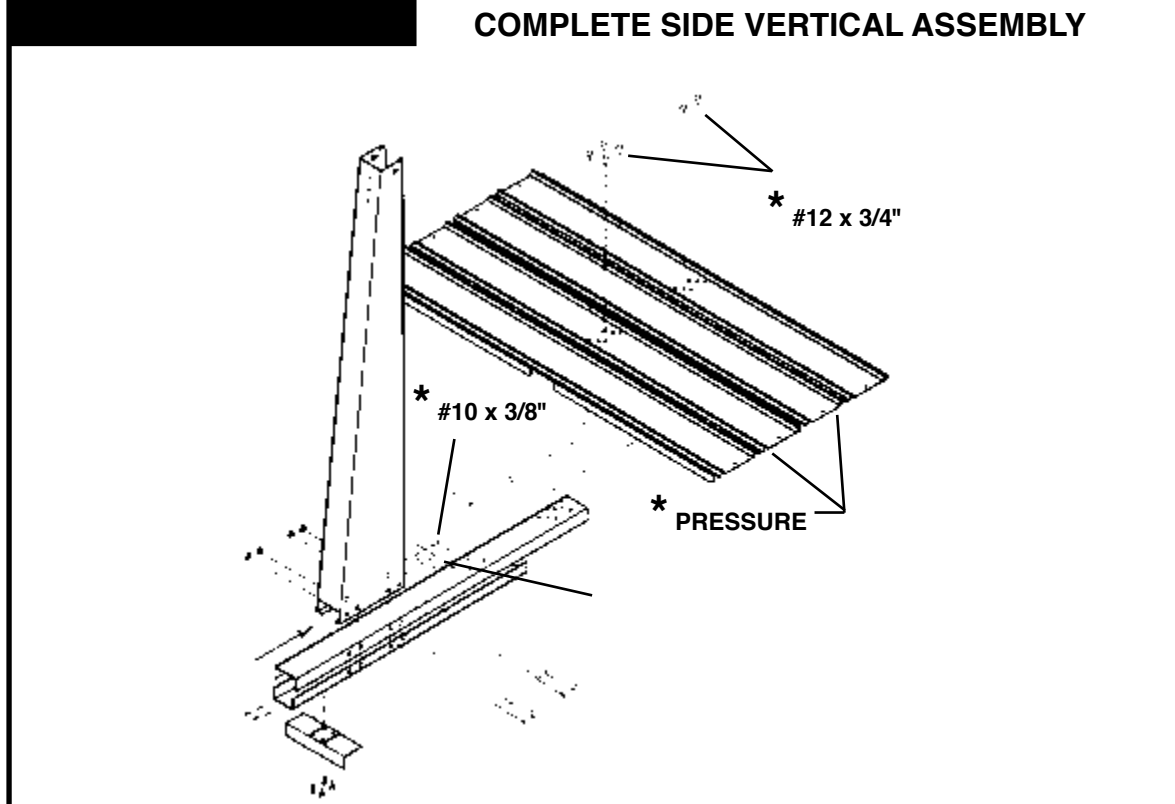
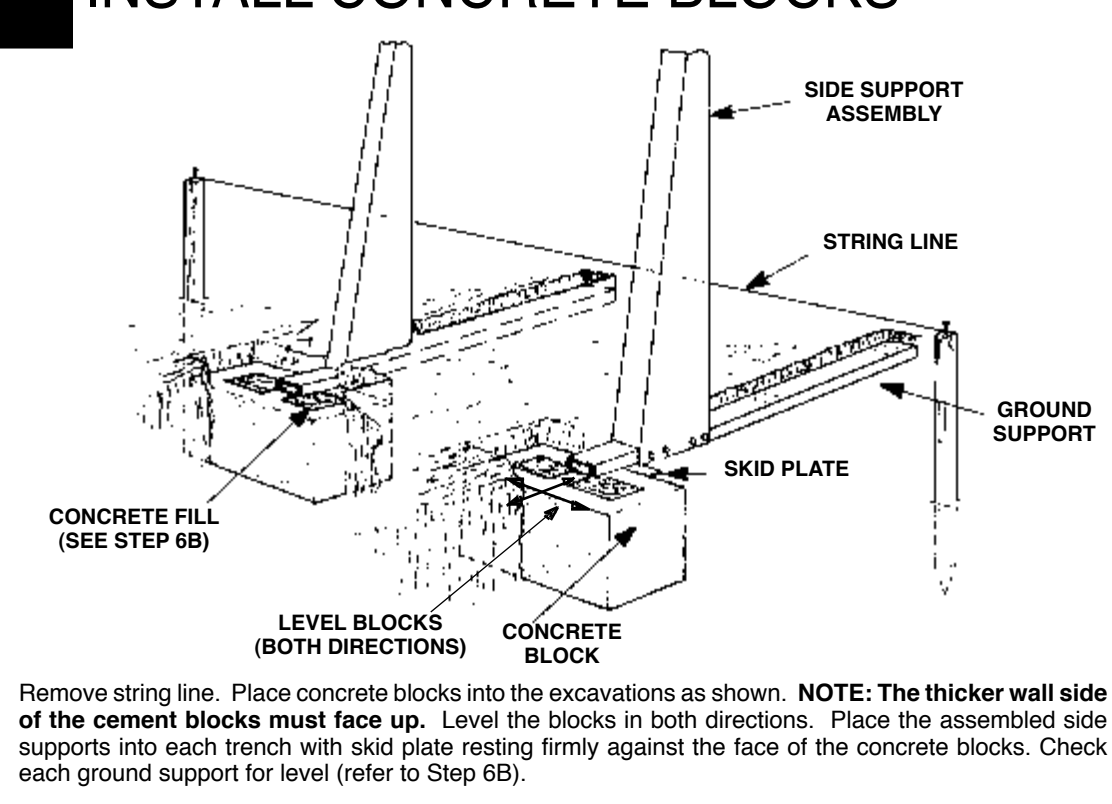


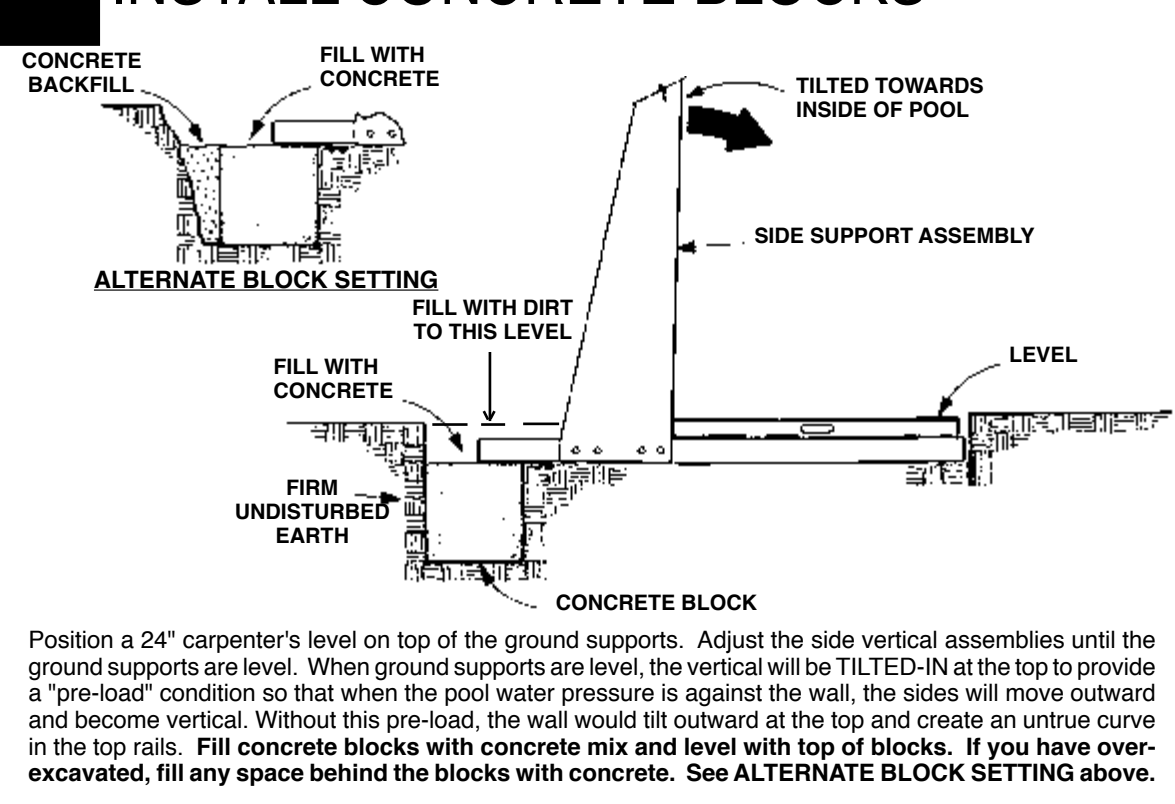
FIG. A CONT. COMPAC II COMPLETE SIDE VERTICAL ASSEMBLY



6A INSTALL CONCRETE BLOCKS



6B INSTALL CONCRETE BLOCKS



7 DIG OUT FOR PRESSURE PADS

