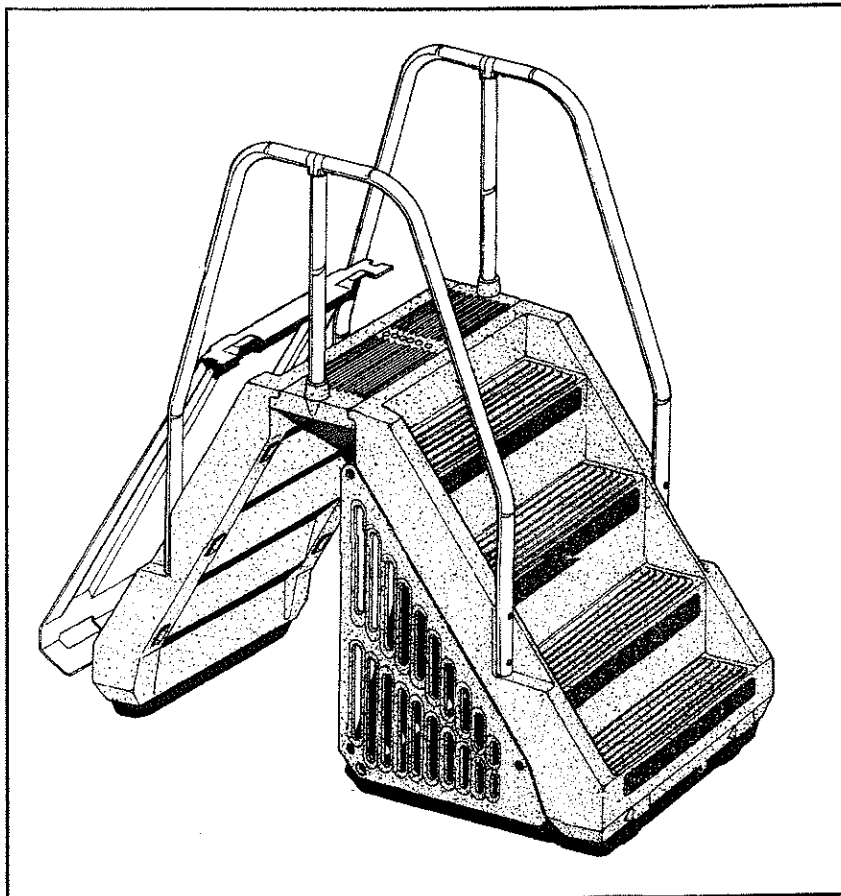


Pool Entry System

Models 5700-236 / 7999-006

Owner's Guide and Warranty



SAFETY PRECAUTIONS

READ AND FOLLOW ALL INSTRUCTIONS

Failure to follow important safety instructions and precautions may result in serious personal injury.

1. The Pool Entry System must be installed in accordance with these instructions.
2. NEVER JUMP OR DIVE from the platform or stairs. The Pool Entry System is for sitting, standing, and entering or exiting the pool only.
3. Always install the staircase cover and secure it with the padlock provided when the pool is unattended.
4. Keep the Pool Entry System free of pool toys or debris that people could trip over causing personal injury.
5. Always use the handrails when entering or exiting the pool.
6. **CAUTION:** Never install the stairs on a sloping uneven pool bottom that could result in tilted or rocking steps. Uneven, unbalanced footing may lead to personal injury.
7. **DANGER! ELECTRICAL HAZARD.** Use extreme caution when using an electric drill when near water. Never use an electric drill when standing in or touching water. **Always use a cordless drill when working in or near water.**
8. Some pools may not have the necessary strength to support the unit by the top rails alone. When possible, **INSTALL THE STAIRS OVER A VERTICAL SUPPORT.**

PREPARATIONS

The Pool Entry System may be installed at any point around the pool that provides a flat surface for mounting the platform. See PRECAUTIONS above. Choose a location that will be convenient for entering and exiting the pool and provides adequate clearance.

Clearances

You will need an clearance area 58" deep x 43" wide outside the pool for the staircase. See Fig. 1.

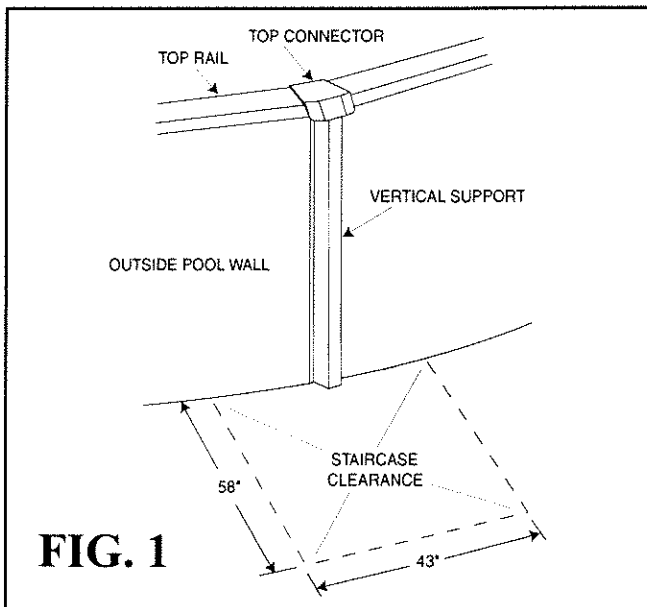


FIG. 1

Tools Required

You will need the following tools for installation:

- Flat-bladed Screwdriver
- Phillips Screwdriver
- 7/16" Wrench
- Drill
- 1/8", 5/32", 7/32", and 5/16" drill bits
- Pencil
- Drill (cordless type recommended)

Materials Required














To neutralize the steps natural buoyancy, you must weight the inside pool steps using two (2) or more 8" x 16" x 2" thick concrete block wall cap stones, or use a similar material of equal weight.

Before You Begin

Unpack each carton and inventory the parts within against the parts list on page 6. Be sure that you have all the parts listed before you begin assembly.

ASSEMBLY

Refer to the illustration below to identify the hardware used in assembly.

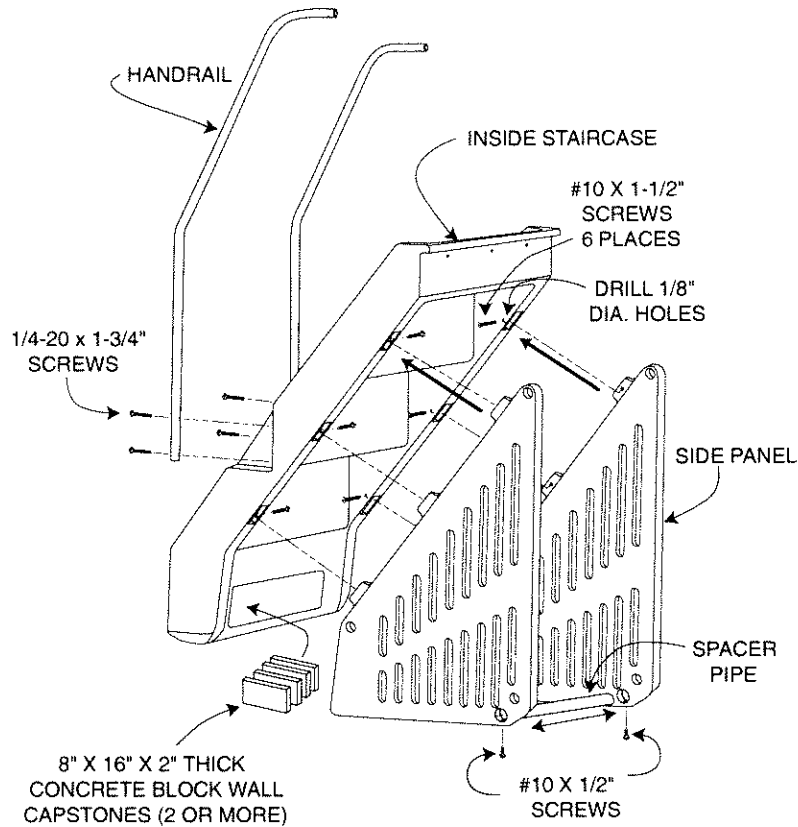
HARDWARE	
330-1229 1/4-20 x 4" SCREW	
330-1225 1/4-20 x 2-1/8" SCREW	
330-1279 1/4-20 X 1-3/4" SCREW	
330-1151 1/4-20 x 1" TRUSS HEAD SCREW	
330-1072 1/4-20 x 1/2" TRUSS HEAD SCREW	
321-1021 1/4-20 HEX NUT	
327-1051 1/4" FLAT WASHER	
426-1000 1/4" SAE FLAT WASHER	
330-1282 #14 x 3-1/2" SCREW	
330-1025 #12 x 1-1/8" SCREW	
510-1001 #10 x 1-1/2" SCREW	
330-1172 #10 x 1/2" SCREW	
330-1008 #8 x 1/2" SCREW	

Assemble Inside Stairs

See Fig. 2.

Locate the inside stairs (stairs without safety cover locators), and turn them upside down (stair treads facing the ground). Place a piece of cardboard under the stairs to prevent scratching or marring the stair surfaces. Locate the side panels and insert the raised bosses into the recesses on the bottom of the stair rails as shown. At each boss location, drill a 1/8" diameter hole through the inside stair rail and one wall of the side panel

FIG. 2



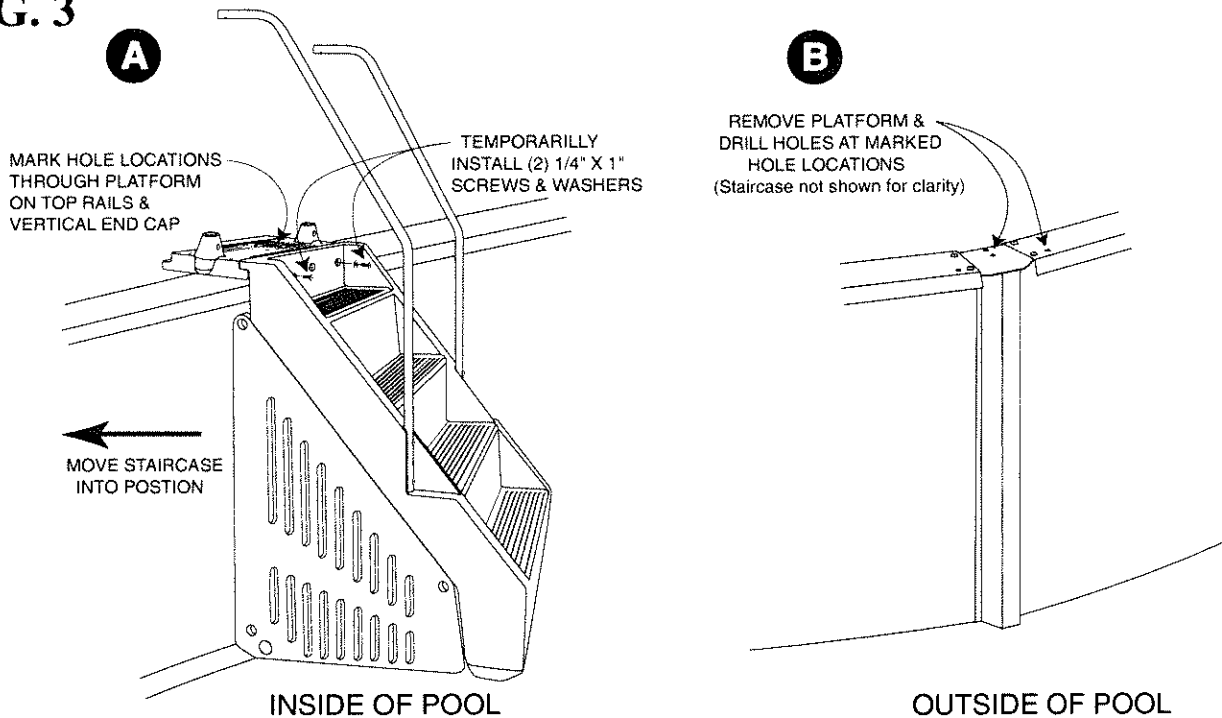
boss. **Be careful not to drill completely through both sides of the stair rails.** Secure each side panel to the stairs using three (3) #10 x 1-1/2" long screws.

Locate the spacer pipe and insert each end into a side panel hole as shown. Drill a 1/8" diameter hole into the pipe using the predrilled hole in the side panel as a guide. Fasten the

spacer pipe to the side panels using two (2) #10 x 1/2" screws. Complete the assembly by tightening all screws securely.

Turn the assembly upright. Locate two (2) handrails and attach them to the inside stairs using four (4) 1/4" x 1-3/4" long screws. Tighten securely.

FIG. 3



NOTE: If your pool is not filled with water, moving the stair assembly into the pool will be easier if you attach the handrails after the stairs are inside the pool.

Move Stair Assembly into Pool
See Fig. 3A

CAUTION: Always enlist the aid of at least one other person when moving and lifting large components.

Move the inside stair assembly as near as possible to the selected installation location. Carefully lift the assembly and rest it on the pool's top rails over a vertical support location. **CAUTION: The stair assembly may be too heavy for some top rails to support. To avoid damage to pool top rails, always rest the stair's weight over a vertical support location for additional support.**

Lift the stair assembly into the pool being careful not to contact and/or damage the pool liner with the handrail ends if they are already installed (see NOTE above). Turn the assembly upright as shown and position it near the selected installation location. **Filled Pools:** Tilt the stairs so that trapped air can escape through the small predrilled vent holes.

Install Concrete Blocks
See Fig. 2

You must insert two (2) or more 8" x 16" x 2" thick concrete block wall capstones into the stair cavity as shown in Fig. 2. The blocks counteract the stairs natural buoyancy and will help to stabilize the completed assembly. **CAUTION: Don't install the blocks until the stair assembly is in the pool. The blocks could fall out causing damage to the pool or**

cause personal injury. When installing blocks when the pool is filled, be sure that you have someone to assist you.

Remove Top Connector
See Fig. 3B

Remove the pool's top connector from the area selected for platform installation so the platform can lay flat on the pool's top rails. **DO NOT REMOVE SCREWS THAT ATTACH THE TOP RAILS TO THE VERTICAL END CAP.**

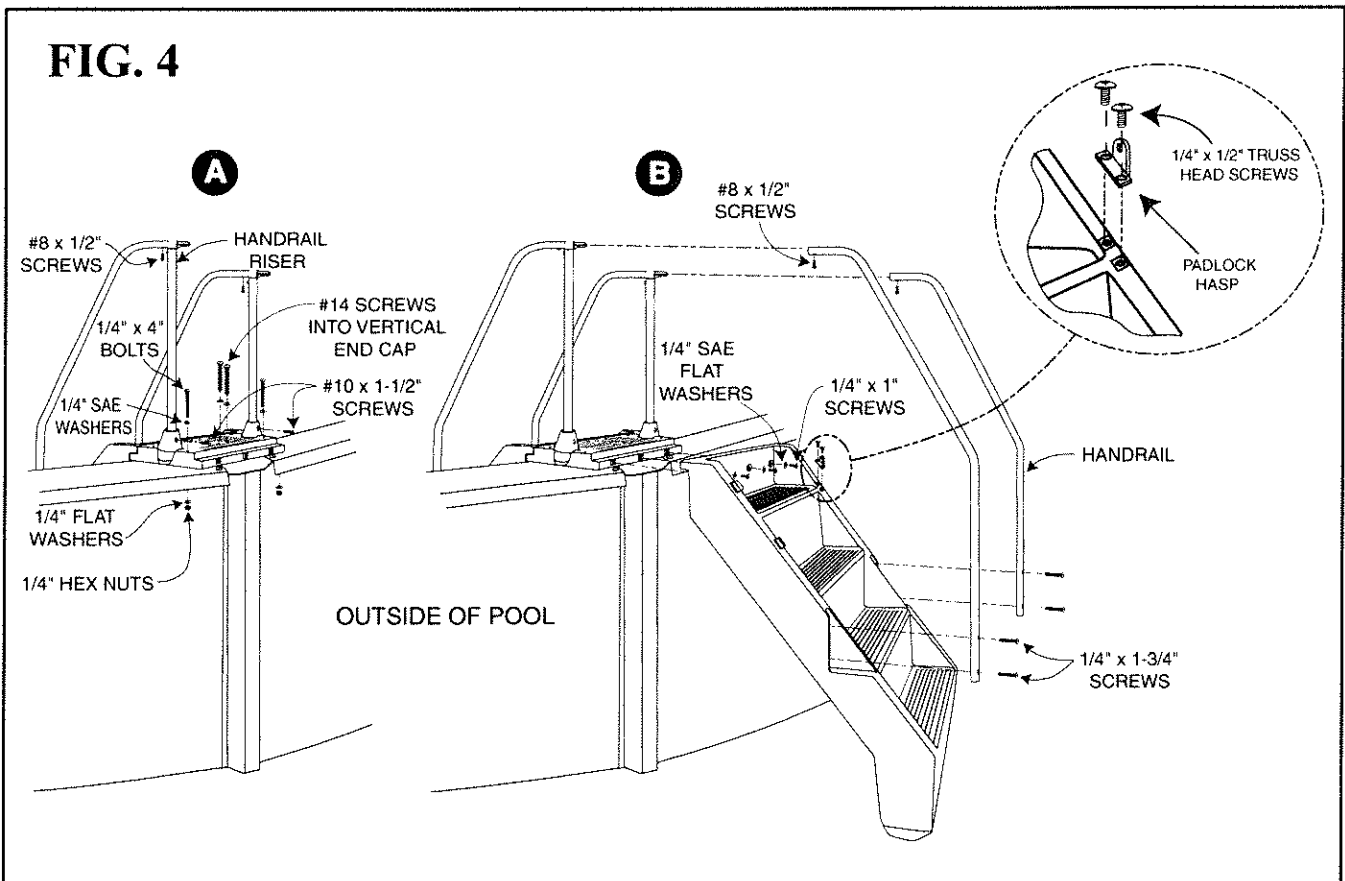
Locate and Drill Mounting Holes
See Figs. 3A & 3B

Move the stair assembly to the selected installation location and position it **completely against the pool wall** at its final location (see Fig 3A).

Lay the platform on the top rails and align its threaded brass holes with the holes in top of staircase. Temporarily install only two (2) 1/4" x 1" long screws and 1/4" flat washers at the outer hole locations only.

Recheck the staircase and platform position in relation to the pool wall and make any final adjustments to its location. Be sure that both side panels are as tight as possible against the pool wall.

When satisfied with the platform's position, select the holes you will use for fastening the platform to the pool's frame. For maximum stability, you should connect the platform to the pool frame in at least four places. Use a pencil to mark hole locations through the platform onto the top rails and vertical end cap.



IMPORTANT: For additional strength, it is recommended that you install at least two #14 sheet metal screws into the vertical end cap. If possible, locate hole positions where bolts and nuts will be on the outside of the pool wall. **Avoid hole locations where the drill bit could contact and damage the pool wall or liner.**

After marking holes, disassemble and remove the platform from the staircase assembly and set it aside. Drill 5/16" diameter holes through the top rails at the marked locations. Drill 7/32" diameter holes for connection to the vertical end cap with #14 x 3-1/2" screws.

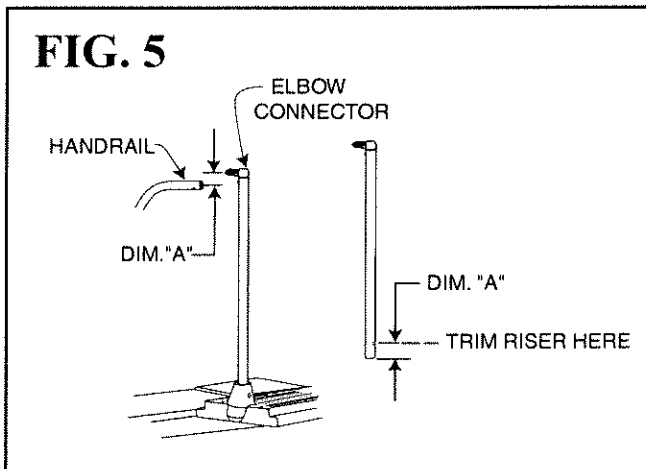
Attach Platform to Top Rails See Fig. 4A

Reassemble the platform to the staircase using all three (3) 1/4" x 1" screws and washers. Install 1/4" x 4" screws, washers, and nuts through the platform and top rails at the previously drilled locations. Install #14 x 3-1/2" screws with washers when fastening to a vertical end cap. Tighten all screws securely.

Trim Handrail Risers See Fig. 5

The handrail risers are sized to fit a variety of installation conditions. Locate the handrail risers and insert them into the platform sockets. Turn them so that the connector tees at the top are pointing to and aligned with the handrails ends. Observe the position of the handrail tubes to the connector tees. If the risers are too long or short, follow the instructions below. If they are the correct height when resting in their sockets, proceed directly to **Install Handrail Risers.**

If the connector tees are too high for the handrails to make a straight, level connection, you will need to cut the excess tubing from the **BOTTOM** of the riser tube. Measure the distance from the center of handrail tube to the centerline of the connector tee. Mark that distance on the bottom end of the riser tube and remove the excess tubing with a hacksaw or other suitable tool.



If the connector tees are too low, raise the riser tube to the level of the handrail ends. Use a small piece of wood under the riser tube to shim it up to the correct height.

Install Handrail Risers See Fig. 4A

With the risers at the correct height in the platform socket and aligned with the handrails, drill a 5/32" hole through the bottom

of the each riser tube (1 side only) using the predrilled holes in the platform sockets as guides. Secure each riser tube to its socket using one (1) #10 x 1-1/2" screw.

Connect Inside Handrails to Connector Tees See Fig. 4A

Push the handrail ends over the connector tees and secure each of them using a #8 x 1/2" long screw.

Attach Outside Staircase to Platform See Fig. 4B

Position the outside staircase on the platform flange and align the staircase mounting holes with the matching platform holes. Remove or add soil or stepping stones under the staircase bottom step as needed to achieve a level position. Secure the assembly by installing three (3) 1/4" x 1" screws and 1/4" washers.

Connect Outside Handrails See Fig. 4B

Attach the two remaining handrails to the outside staircase using four (4) 1/4-20 x 1-3/4" long screws. Tighten securely.

Push the handrail ends over the connector tees and secure each of them using a #8 x 1/2" long screw.

Install Padlock Hasp See Fig. 4B

Position the padlock hasp over the threaded holes in the staircase rail. Fasten the hasp to the rail using two (2) 1/4 x 1/2" long screws. **Note: The turned-up flange should be toward the outside of the rail.**

INSTALLING SAFETY COVER

See EXPLODED ASSEMBLY page 6.

Position the safety cover over the stairs as shown on page 6. Lower the cover's square cutouts over the raised cover locators on the staircase. While holding the cover's cutouts tightly against the stair's left rail, slide the cover toward the padlock hasp (edges of cutouts sliding under cover locators) until the cover's right cutout settles over the padlock hasp. To secure the safety cover, use the padlock provided.

REPAIR & MAINTENANCE

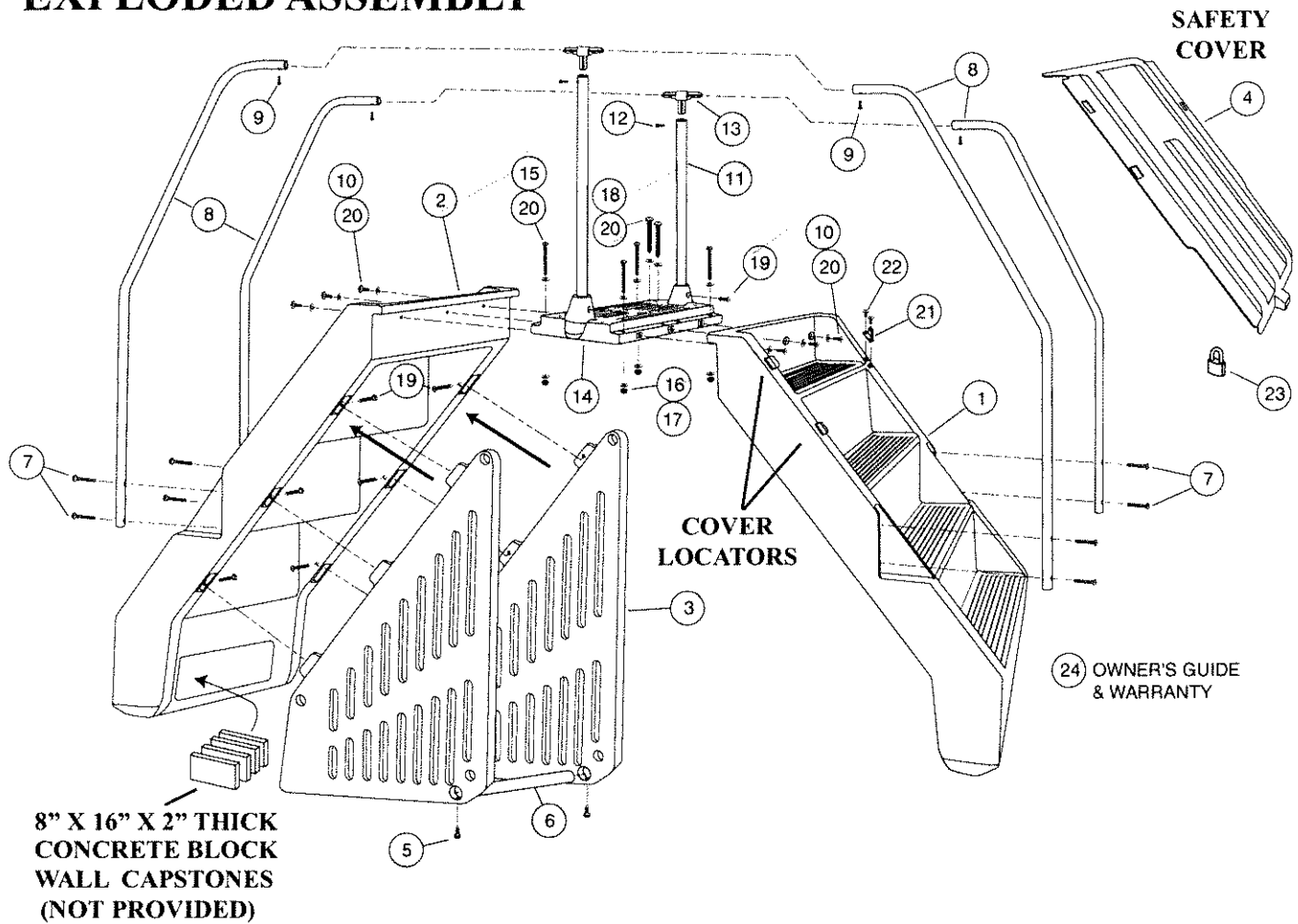
Contact your local Lomart dealer for original replacement parts. Retain this owner's guide for reference when ordering parts or making a warranty claim.

Periodically inspect the Advantage Access Entry System to detect loose or missing hardware. Tighten all loose screws and always replace any that are missing.

CLEANING

Clean your Advantage Access Entry System with mild detergent and water only. **DO NOT USE SOLVENTS OR ABRASIVE CLEANERS TO CLEAN THE ADVANTAGE ACCESS ENTRY SYSTEM.**

EXPLODED ASSEMBLY



Pool Entry System Models 5700-236 / 7999-006			
ITEM #	PART NO.	QTY.	DESCRIPTION
Stair Pack - 5700-193 / 7999-199			
1.	349-1027	1	Outside Stairs
2.	349-1048	1	Inside Stairs
3.	349-1039	2	Side Panel
4.	349-1029	1	Safety Cover
Hand Rail Pack - 5700-194 / 7999-198			
5.	330-1172	2	#10 X 1/2" Screw
6.	341-1394	1	Side Panel Spacer Pipe
7.	330-1279	8	1/4-20 x 1-3/4" Phillips Head Mach. Screw
8.	580-2077	4	Handrail
9.	330-1008	4	#8 x 1/2" Screw
10.	330-1151	6	1/4-20 x 1" Truss Head Mach. Screw
11.	580-2086	2	Handrail Riser
12.	330-1025	2	#12 x 1-1/8" Screw
13.	340-2267	2	Connector Tee
14.	349-1031	1	Platform
15.	330-1229	4	1/4-20 x 4" Phillips Head Mach. Screw
16.	321-1021	4	1/4-20 Hex Nut
17.	327-1051	4	1/4" x 3/4" O.D. Flat Washer
18.	330-1282	2	#14 x 3-1/2" Screw
19.	510-1001	8	#10 x 1-1/2" Screw
20.	426-1000	10	1/4" SAE Flat Washer
21.	385-1419	1	Padlock Hasp
22.	330-1072	2	1/4-20 x 1/2" Truss Head Mach. Screw
23.	332-1064	1	Padlock
24.	365-	1	Owner's Guide & Warranty

THIS PAGE INTENTIONALLY LEFT BLANK

Pool Entry System

FIVE YEAR LIMITED WARRANTY

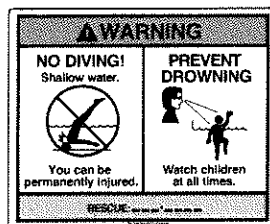
TERMS AND CONDITIONS

Retain this warranty along with your sales receipt and/or proof of purchase.

1. Hoffinger Industries is the warrantor of this product.
2. This warranty is extended to the original purchaser (consumer) only.
3. Hoffinger warrants the Pool Entry System for a period of five (5) years from date of purchase against all defects in materials and workmanship. **To exercise this warranty, the consumer must return the Pool entry unit to the dealer where it was purchased.**
4. The Pool entry unit will be repaired or replaced promptly after your pool dealer determines that there is a defect in materials or workmanship.
The method of proration on this warranty is to repair or replace free of charge any part(s) found defective in the first three (3) years from the date of purchase. For the next two (2) years part(s) found to have manufacturing defects will be replaced at a prorated cost equal to the following percentages of the then existing manufacturer's suggested retail prices.
The percentages below are paid by the consumer and apply at the beginning of the year listed:
Years 1-3 0%
Years 4-5 65%
5. **This warranty is null and void if the design of this product is altered in any way. Thus, the product must be assembled according to the factory directions and no changes or modifications may be made to any of the parts.**
6. Damage from chemical misuse is not covered under warranty.
7. This warranty gives specific legal rights; the purchaser also has implied warranty rights which may vary from state to state.

Terms of sale of our warranty exclude liability for willful carelessness.

Change of Design: Hoffinger Industries expressly reserves the right to change or modify the design and construction of any product in due course of our manufacturing procedures, without incurring any obligation or liability to furnish or install such changes or modifications on products previously or subsequently sold.



Hoffinger Industries • 315 N. Sebastian Street • West Helena, AR 72390